



The Fayra LS1060 is a compact projection luminaire within the F6 family, designed to create vibrant points of light across architectural, landscape, and public environments. Delivering up to 2840 lumens with a power consumption of up to 20W, Faisca provides a strong luminous presence in a refined, energy-efficient form—ideal for visual expression, feature lighting, and dynamic installations where the light source itself becomes part of the design.

With versatile mounting options—including surface, catenary, and adjustable arm mount configurations—Faisca adapts easily to a wide range of architectural applications, from suspended lighting compositions and visual markers to expressive public space installations.

As part of the F6 family, Faisca shares a common design language and mounting ecosystem with other F6 luminaires, enabling designers to integrate direct-view lighting elements alongside precision illumination within a cohesive architectural system.

Performance

Static White & Color	Transparent Flat Lens		Diffused Dome Lens	
	Lumen Output (lm)	Efficacy (lm/W)	Lumen Output (lm)	Efficacy (lm/W)
■ 2,700 K (80 CRI)	2,270	123	1,490	82
■ 3,000 K (80 CRI)	2,440	133	1,610	89
□ 3,500 K (80 CRI)	2,440	133	1,610	89
■ 4,000 K (80 CRI)	2,840	154	1,870	103
■ 5,000 K (80 CRI)	2,630	143	1,730	96

Dynamic Color	Transparent Flat Lens		Diffused Dome Lens	
	Lumen Output (lm)	Efficacy (lm/W)	Lumen Output (lm)	Efficacy (lm/W)
■ RGBA	1,690	93	1,080	61
■ RGBW (4,000 K) with Royal Blue	1,330	75	880	50

Tunable White	Transparent Flat Lens		Diffused Dome Lens	
	Lumen Output (lm)	Efficacy (lm/W)	Lumen Output (lm)	Efficacy (lm/W)
■ 2,700 K - 6,500 K	2,430	132	1,600	88

! Other LED colours and CRIs available on request. Contact Lumascope for options.



Products and specifications are subject to change without notice. LS1060_260512

Electrical

Power Consumption	< 20 W
Optics	Transparent Flat Lens or Diffused Domed with PureBlend Lens
Lifetime	>60,000 hrs (B10, L70)
Input Voltage	Low Voltage 30 to 48 Vdc
Earth Leakage	0.3 mA @ 120 Vac, 0.4 mA @ 240 Vac, 0.6 mA @ 277 Vac
Thermal Management	CoolDrive™ onboard thermal monitoring and control

Control

Interface	Lumascap PowerSync ®
Protocols¹	DMX/RDM, Artnet, PWM ² , 0 - 10 V (sink or source) ²
PWM Frequency	2 kHz flicker-free dimming to 0.1%
RDM Functionality	PowerSync enabled Lumascap luminaires are shipped with a default RDM personality which provides smooth dimming control. For different dimming characteristics or to enable other special functionalities, the default personality can be changed through industry standard DMX/RDM.
Systems	Range of third-party controllers

¹ Some protocols require additional hardware. For more information and other available protocols contact Lumascap.

² Not available for color-changing or tunable white

Physical

Housing	Marine-grade die-cast aluminum with UV-protected and stabilized polymer diffuser
Finish	Superior 9-step powder-coating process, including marine-grade epoxy undercoat and polyester top coat
Installation	Surface-mounted
Ambient Operating Temperature	-40°F to 122°F (-40°C to 50°C)
Surface Temperature	≤122°F (50°C)
Weight	3.5 lb (1.6 kg)
Effective Projected Area	Flat Lens; 0.09 ft ² (84.5 cm ²) Dome Lens; 0.11 ft ² (106 cm ²)

Certification & Compliance

IP Rating	IP66 / IP67 (Passes IP68 Test)
IK Rating	IK10
Environment	Dry, Damp, Wet locations
Certifications	cULus, CE, UKCA, RCM, FCC

Optics

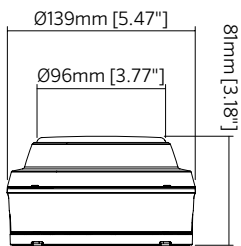
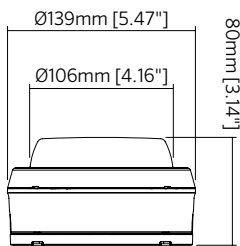
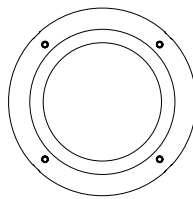
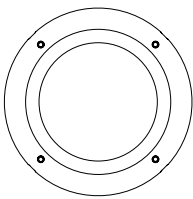


Short Lid
(R)



Long Lid
(D)

Dimensions



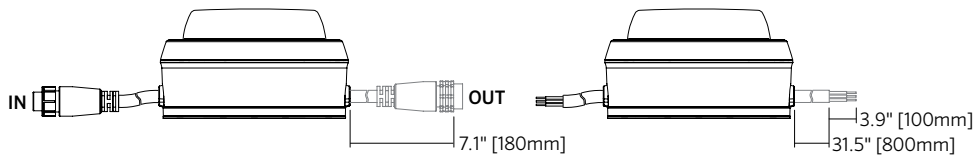
Cable Entry & Connection Type

Connectorized

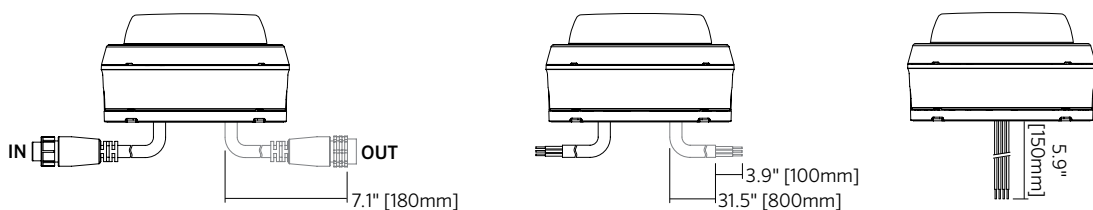
Flexible Cable

Hookup Wire

Side Entry (N)



Bottom Entry (Q)



Connectorized Cable - single (67)
Connectorized cable - loop (63)

Flexible cable - single (84)
Flexible entry cable - loop (83)

Hookup Wire (82)
North America Only

Mounting Option S - Standard Mount

The Standard Mount is manufactured from marine-grade stainless steel for superior strength and long-term corrosion resistance. It is designed for surface mounting as well as supporting direct installation on standard junction boxes, offering flexibility while maintaining a low-profile appearance.



Surface Mount

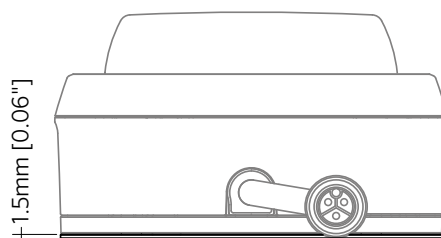
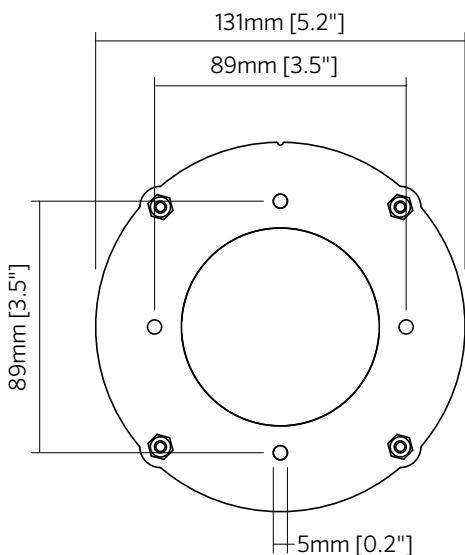
When surface mounting, the standard mount is secured directly to any flat surface using four 5 mm [0.2"] screw holes. The luminaire then attaches seamlessly to the mount. An open centre in the mounting mechanism allows for cable entry from either the side or the bottom.

Junction Box Mount

When used for junction box mounting, the standard mount aligns with a North American junction box, with the four 5 mm [0.2"] screw holes matching the box pattern. The luminaire can then be securely mounted over the junction box using the mount. The open centre of the mounting mechanism allows for bottom cable entry into the luminaire, enabling easy termination within the junction box.

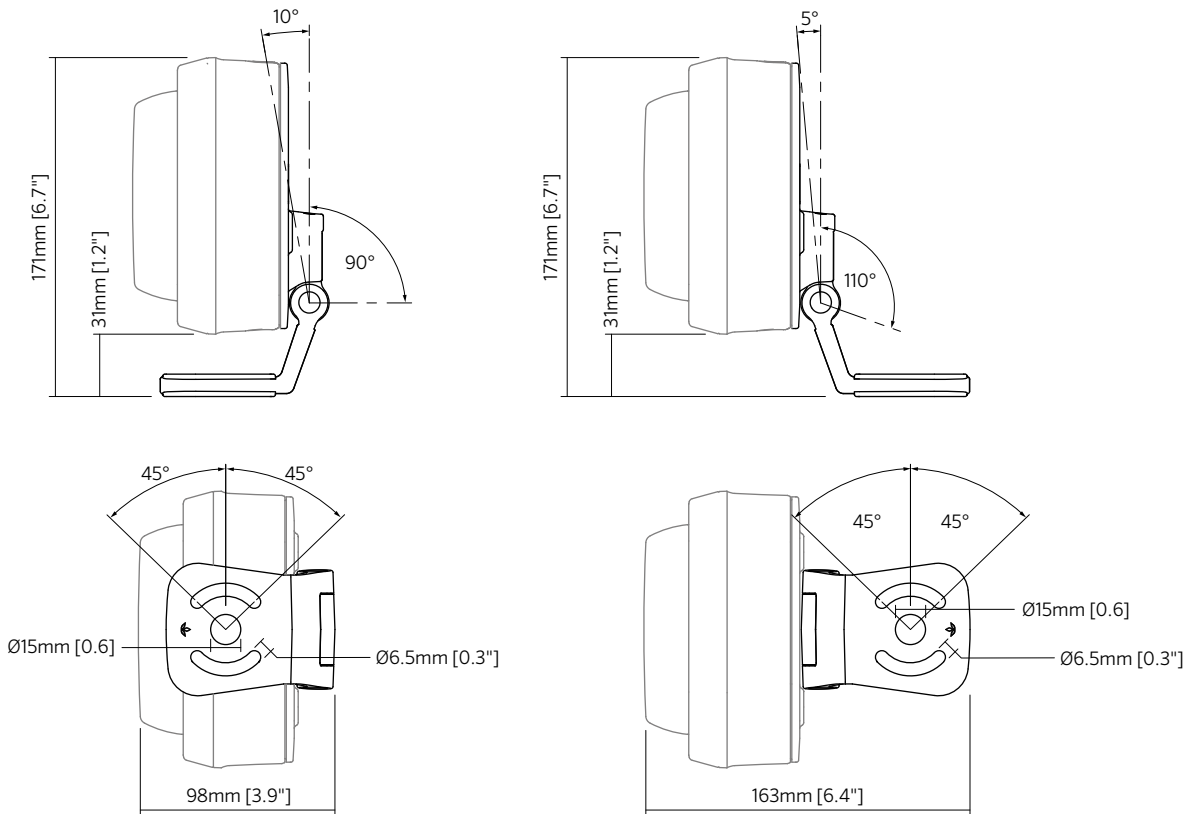


Standard Junction Box



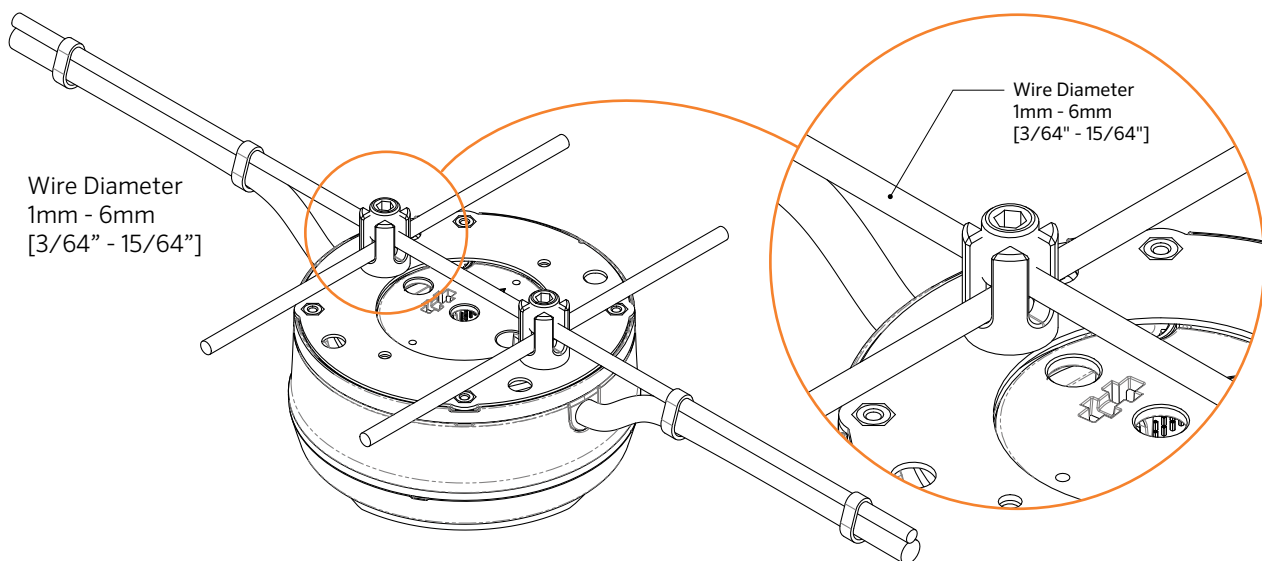
Mounting Option A - Adjustable Bracket

The adjustable bracket allows for 90° rotation about its centre. It can be installed in either the standard or reverse orientation, enabling a luminaire tilt range of -10° to +90° or -5° to +110°, respectively.



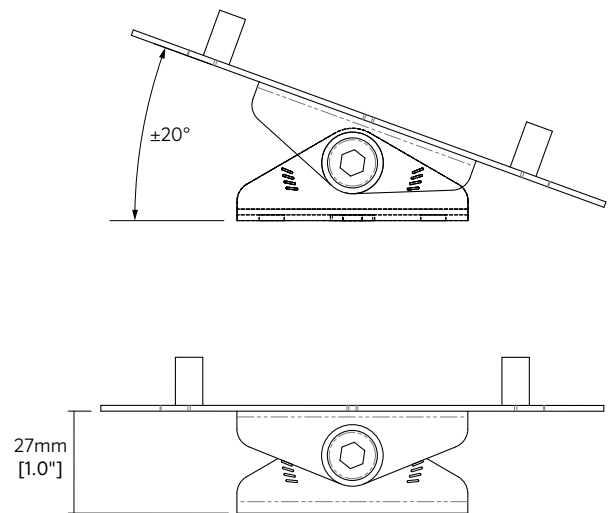
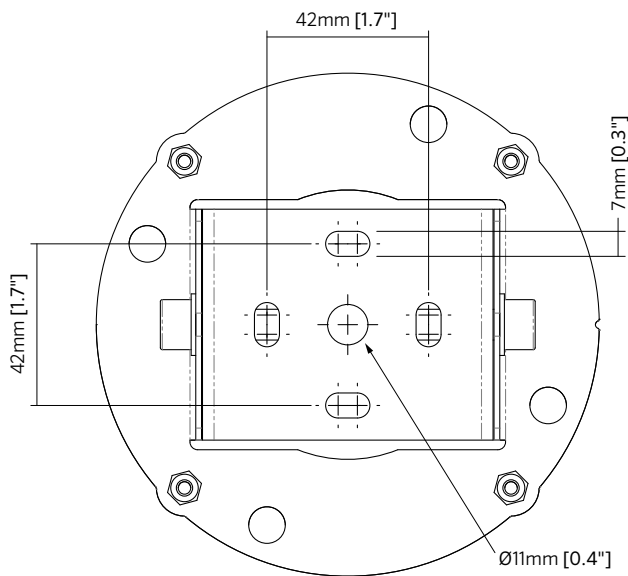
Mounting Option C - Catenary Mount

The Catenary mount enables the suspension on a catenary system. Designed for versatility, it allows the luminaire to be securely mounted on metal wire ranging from 1-6 mm (3/64-15/64"). The LS9260 must be configured with a side entry cable for this accessory to be used. The catenary mount provides a sleek and reliable solution for applications requiring suspended architectural lighting.

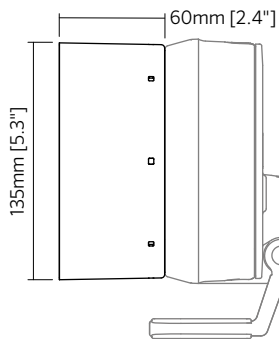


Mounting Option R - Adjustable Round Plate

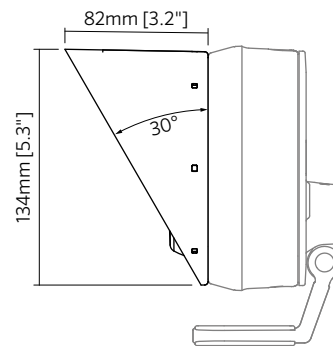
The adjustable round plate allows for a tilt adjustment of $\pm 20^\circ$ on one axis, providing flexibility in aiming while maintaining a clean, architectural appearance. Available in either marine-grade stainless steel or a durable powder-coated finish, the bracket is built to withstand demanding environments. The LS9260 must be configured with side entry cable to be compatible with the surface mount bracket.



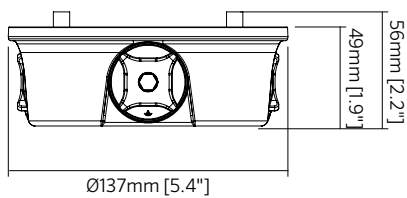
LS6270 Snoot



LS6271 Visor



LS6327 Junction Box



LS6301 Junction Box Adaptor / Surface Mounting Kit



LS6302 | LS6303 | LS6304 | LS6305 Pole Clamp



LS6306 | LS6307 Tenon Adaptor



Accessories Specification Matrix

Glare Control Accessories		Finish	
	Code		Code
Snoot	LS6270	Black	BL
Visor	LS6271	Anthracite Gray	AG
Mounting Accessories		Basalt Gray	BT
Junction Box	LS6327	Graphite Gray	GH
4.0" Junction Box Adaptor / Surface Mounting Kit	LS6301	Anodic Silver	SL
3.0" (76 mm) Pole Clamp	LS6302	White	WT
4.0" (102 mm) Pole Clamp	LS6303	Dark Bronze	DB
4.5" (114 mm) Pole Clamp	LS6304	Latte	LT
5.0" (127 mm) Pole Clamp	LS6305	Dark Aluminum	DA
2 3/8" x 4.0" (60 mm x 104 mm) Tenon Adapter	LS6306	Custom RAL	CC*
3.5" x 6.0" (89 mm x 147 mm) Tenon Adapter	LS6307		
Ground Mount Post (North America only)	LS6325		

*RAL color required

Specification Matrix

LS1060		-	22D																
---------------	--	---	------------	--	--	--	--	--	--	--	--	--	--	--	--	--	--	--	--

Light Engine	Code
22 W	22D

Static White & Color	Code
2,700 K (80 CRI)	827
3,000 K (80 CRI)	830
3,500 K (80 CRI)	835
4,000 K (80 CRI)	840
5,000 K (80 CRI)	850

Dynamic Color	Code
RGBA	4CA
RGBW wt. Royal Blue	4BW

Tunable White	Code
2,700 K - 6,500 K	2WT

! Other LED colours and CRIs available on request. Contact Lumascape for options.

Cable Entry	Code
Side	N
Bottom	Q

Mounting Type	Compatible	Code
Standard	✓ ✓	S
Adjustable Round Plate	✗ ✓	R
Adjustable Bracket	✓ ✗	A
Catenary	✗ ✓	C

Input Voltage	Code
30 to 48 Vdc (International)	07
30 to 48 Vdc (North America)	13

Control	Code
Non-Dimmable	ND ¹
PowerSync®	PS ²

¹ For single colour, non-dimming applications only.
² Required for all dimming and colour changing applications. LS6540 Data Injector is required (order separately).

Connection Type - Loop-in / Loop-out	Code
Flexible entry/exit cables for hardwired installations (International market only)	83
Flexible entry / exit cables for connectorized installations	63

Connection Type - Single Cable Entry	Code
Flexible single entry cable, for hardwired installations	84
Flexible single entry cable, for connectorized installations	67
Hookup wire for hardwired installations (North America market only)	82 ¹

¹ Requires Mounting Type S and Cable Entry Type Q.
 For other cable entry options, contact Lumascape.

Cover	Code
Short Lid	R
Long Lid	D

Finish	Code
Black	BL
Anthracite Gray	AG
Basalt Gray	BT
Graphite Gray	GH
Anodic Silver	SL
White	WT
Dark Bronze	DB
Latte	LT
Dark Aluminum	DA
Custom RAL	CC ¹

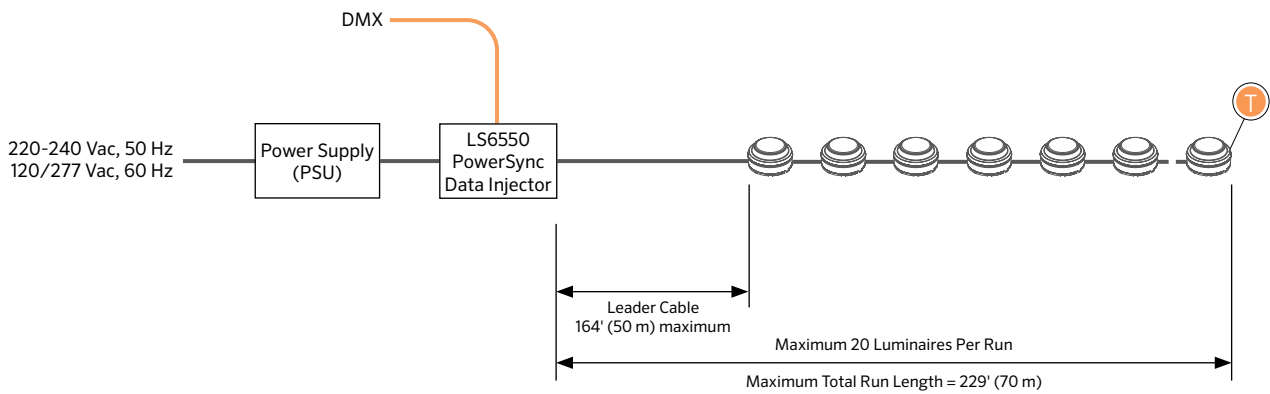
¹RAL color required

Beam Angle	Code
10°	VN
13°	NR
20°	NM
26°	ME
47°	WD
10° x 40°	NH
40° x 10°	NV
20° x 60°	WH
60° x 20°	WV

Input Cable Length	Code
1' (0.3 m)	001
2' (0.6 m)	002
3' (0.9 m)	003
4' (1.2 m)	004
5' (1.5 m)	005
6' (1.8 m)	006

NOTE: Output cable length is fixed.

Network Topology – Low Voltage 30-48 Vdc Dimmable and Color-Changing via PowerSync™ 4



T Terminator
Use PowerSync™ terminator, supplied with leader cable to terminate last luminaire in chain.

I Maximum Current
Maximum current through cables and connectors supplied by Lumascape:
≤12.8 A - Installations in North American Market (UL, ETL)
≤16 A - Installations in International Market (CE, CCC)

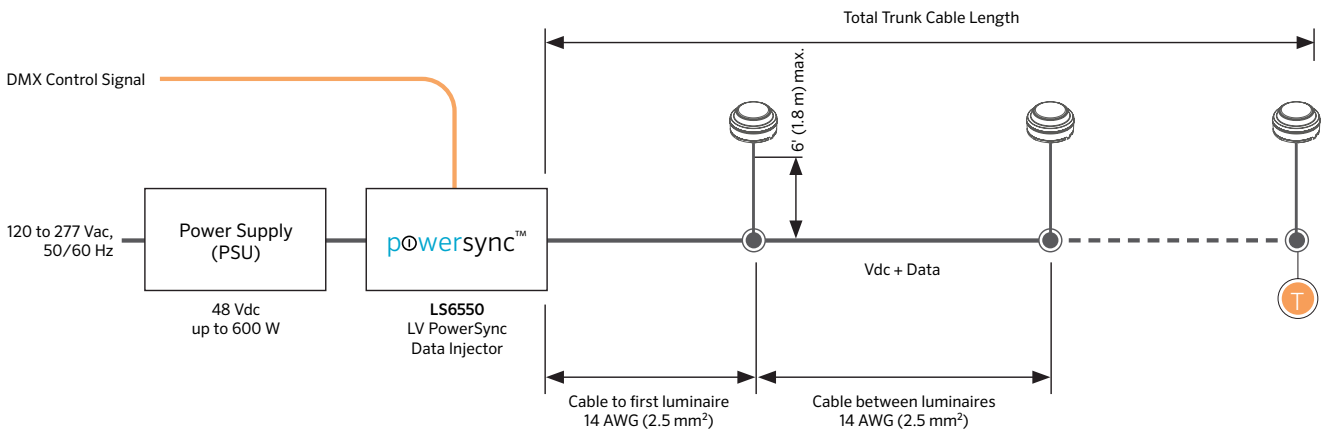
Up to 20 luminaires per 48 V PowerSync circuit / LS6550 Low Voltage PowerSync Data Injector

Maximum Circuit Loading - Single Run						
LED Power	Max Leader Cable Length from LS6550 to first luminaire	Maximum number of luminaires per 48 V Power Supply				
		120 W	240 W	320 W	480 W	600 W
20 W	50' / 15 m	4	9	12	17	20
	98' / 30 m	4	9	11	16	18
	164' / 50 m	4	8	10	14	15

Values in the above table show the maximum circuit loading per 48 V circuit. Values are based on 4.0' (1.2 m) spacing. Smaller spacing may effect the circuit loading. Extended fixture cables, inclusion of jumper cables, or longer leader cable will effect loading. Circuits can be made up of up to 20 luminaires, up to the maximum circuit loading in the table above. Circuits are limited to maximum 12.8 A. For non-continuous runs, contact Lumascape for details.

Trunk Topology - Recommended for Above Water Applications

Circuit Limits - Dimmable and Color-Changing via PowerSync™



- Refer to "Transformer Compatability Table", for maximum number of luminaires
- Calculations based on 14 AWG (2.5 mm²) trunk cable, and 16' (5 m) trunk cable between luminaires.
- Always observe local electrical codes for branch circuit current limitations
- For other configurations, contact Lumascape.

Terminator
 Use PowerSync™ terminator, supplied with PowerSync Injector to terminate last luminaire in chain.

Transformer Compatability Table

Maximum Circuit Loading - Single Run						
LED Power	Max Leader Cable Length from LS6550 to first luminaire	Maximum number of luminaires per 48 V Power Supply				
		120 W	240 W	320 W	480 W	600 W
20 W	50' / 15 m	4	8	11	16	18
	98' / 30 m	4	8	11	15	15
	164' / 50 m	4	8	10	13	13

Connectorized Accessories - Low Voltage 30 to 48 Vdc

Leader Cables - PowerSync™ Extra Low Voltage (For Connection Type 63 or Type 67)

3-core 16 AWG / 1.5mm² for use in CE/CCC and UL installations. Compatible with all luminaires with Type 63 or 67 connectorized supply cable option. Supplied fitted with an IP68 connector for pairing with the first connectorized luminaire in a Powersync4, Low Voltage circuit. Comes complete with a matching End of Circuit, Powersync4, extra low voltage terminator plug.

LS6426		-			
Cable Type	Code	Cable Type	Code	Length	Code
1.5 mm ²	LS6426	Non-Dimmable	ND	10' (3 m)	010
		PowerSync	PS	16' (5 m)	016
				50' (15 m)	050
				66' (20 m)	066
				98' (30 m)	098

Jumper Cables - PowerSync Extra Low Voltage (For Connection Type 63 or Type 67)

3-core 16 AWG / 1.5mm² for use in CE/CCC and UL installations. Compatible with all Luminaires with Type 63 or 67 connectorized supply cable option. Supplied fitted with IP68 connectors for joining between connectorized luminaires in a Powersync4, extra low voltage circuit.

LS6427		-			
Cable Type	Code	Cable Type	Code	Length	Code
1.5 mm ²	LS6427	Non-Dimmable	ND	1' (0.3 m)	001
		PowerSync	PS	2' (0.6 m)	002
				3' (1 m)	003
				6' (2 m)	006
				16' (5 m)	016
				32' (10 m)	032
				50' (15 m)	050
				66' (20 m)	066
				98' (30 m)	098

Connectorized Accessories

Terminators

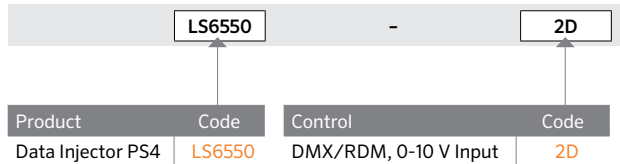
Product	Code
PowerSync Terminator Connectorized, Extra Low Voltage 30-48 Vdc (CCC, CE, UL)	LS6437

* NOTE:

- DMX Terminators ship with PowerSync Data Injectors.
- Terminators for hardwired PowerSync installations ship with PowerSync Data Injectors.
- Terminators for connectorized PowerSync installations ship with Leader Cables.
- Order separately for spares only.

PowerSync Low Voltage 30 to 48 Vdc Data Injector

Translates control signals into a digital format, delivering integral power and data to intelligent LED luminaires. This allows highly-granular addressing and high-speed digital control of every luminaire, using only three wires. The data injector is DIN rail mountable designed to be installed in a switchboard, next to the power supply and circuit breaker that is supplying power to the controlled lighting circuit. Accepts a growing list of standard protocols (0-10 V, DMX/RDM) for simple integration with a wide selection of control systems using these industry standard protocols.



NOTE:

PowerSync Data Injector ships with three (3) hardwired terminators and one (1) hardwired DMX terminator.

Luminaire Wire Colors & Designations

Low Voltage 30 to 48 Vdc

Designation	Color
+ DC	Red
- DC	Black
Data	Orange

