

## Optical Systems

   **IP66 / IP67**



Short Lid  
(R)



Long Lid  
(D)


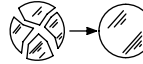

**DANGER**

**ISOLATE LUMINAIRE FROM POWER**

Failure to isolate power supply before installation or maintenance may result in fire, serious injury, electric shock, death and may damage the luminaire.



**Legend Key:**

Symbol 3      Symbol 11      Symbol 13

## READ ALL SAFETY INSTRUCTIONS. Warranty Void if not installed as per installation instructions and in compliance with the local electrical code.

- › Ensure installation complies with local electrical rules and regulations.
- › Class III Construction (symbol 3). Low Voltage products only. 30-48 Vdc.
- › All luminaires may become hot. Use discretion on where the luminaire is mounted. Take care when setting luminaire as it may become hot.
- › Luminaire should only be used complete with protective shield. If protective shield is cracked, immediately stop using luminaire. Isolate light source, keep it dry and immediately contact Lumascape for replacement of protective shield (symbol 11).
- › If the external flexible cable or cord of this luminaire is damaged, it shall be exclusively replaced by Lumascape or their service agent in order to avoid a hazard.
- › The luminaire should be positioned so that prolonged staring into the luminaire at a distance closer than >8 m is not expected (symbol 13).
- › The light source contained in this luminaire shall only be replaced by Lumascape or their service agent.
- › Basic insulation has been maintained between line voltage and the control conductors.
- › Ensure mains input power is surge protected.
- › Never make or break connections while the circuit is energized.
- › Do not make modifications or alter the product.
- › Keep luminaire clean and free of debris.
- › Only clean with warm water.
- › Do not use chemicals or abrasives to clean luminaire as this may void the product warranty.
- › Connections are to be kept clean and dry at all times.
- › Suitable for use indoors or outdoors.

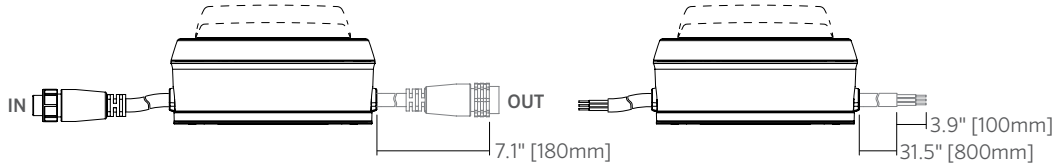
## Cable Entry & Connection Type

### Connectorized

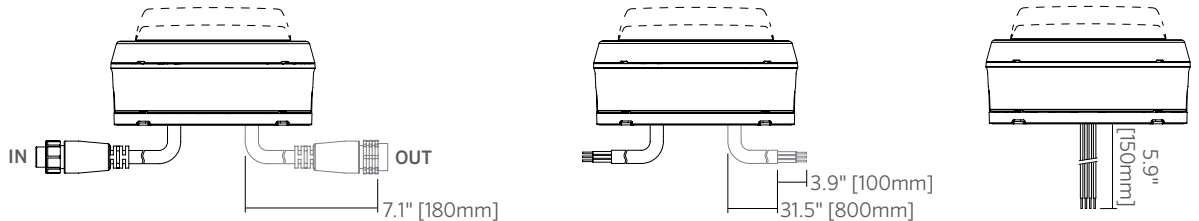
### Flexible Cable

### Hookup Wire

#### Side Entry (N)



#### Rear Entry (Q)

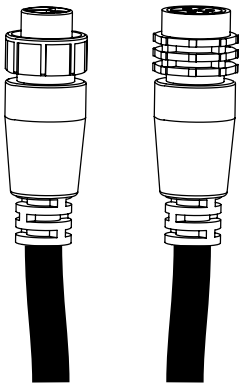


Connectorized Cable - single (67)  
 Connectorized cable - loop (63)

Flexible cable - single (84)  
 Flexible entry cable - loop (83)

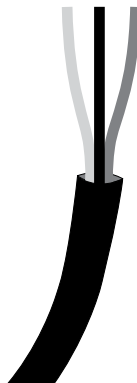
Hookup Wire (82)  
 North America Only

## Cable Type



### Connectorized

Single Entry (67)  
 Loop-in / Loop-out (63)



### Flexible Cable

Single Entry (84)  
 Loop-in / Loop-out (83)



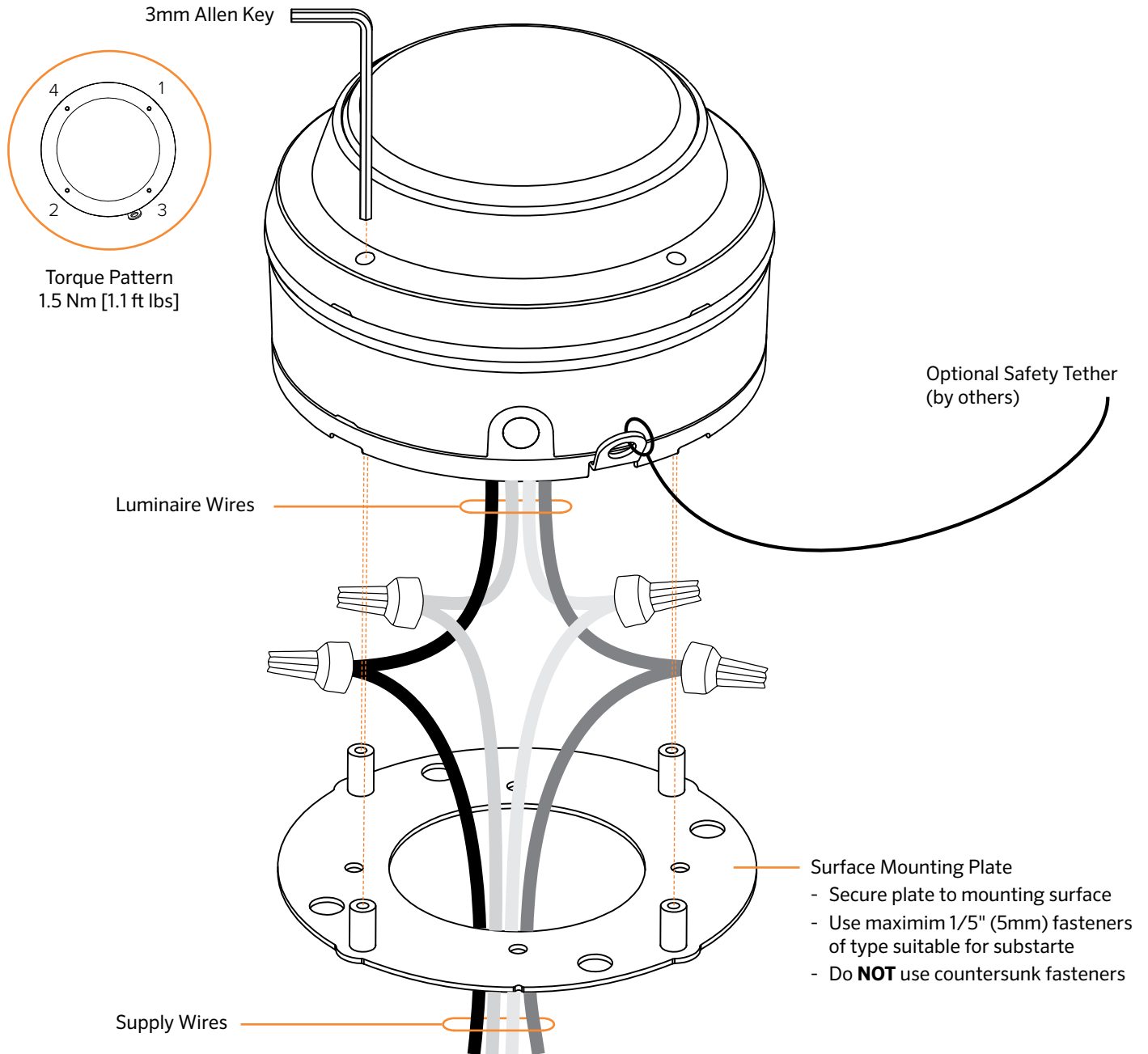
### Hookup Wire

Hookup Wire (82)  
 North America Only



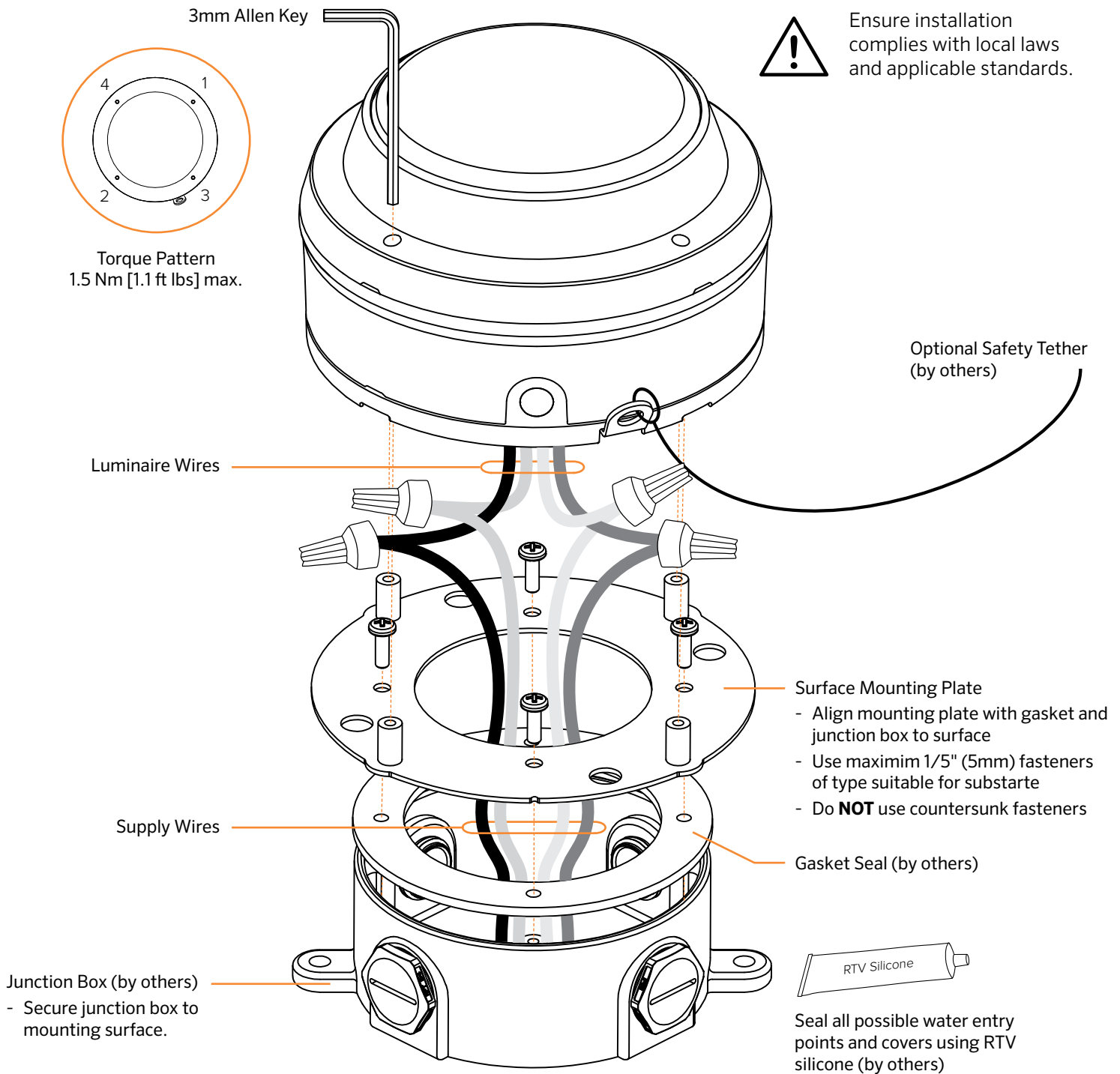
Ensure installation complies with local laws and applicable standards.

## Standard Mounting - Surface Mount

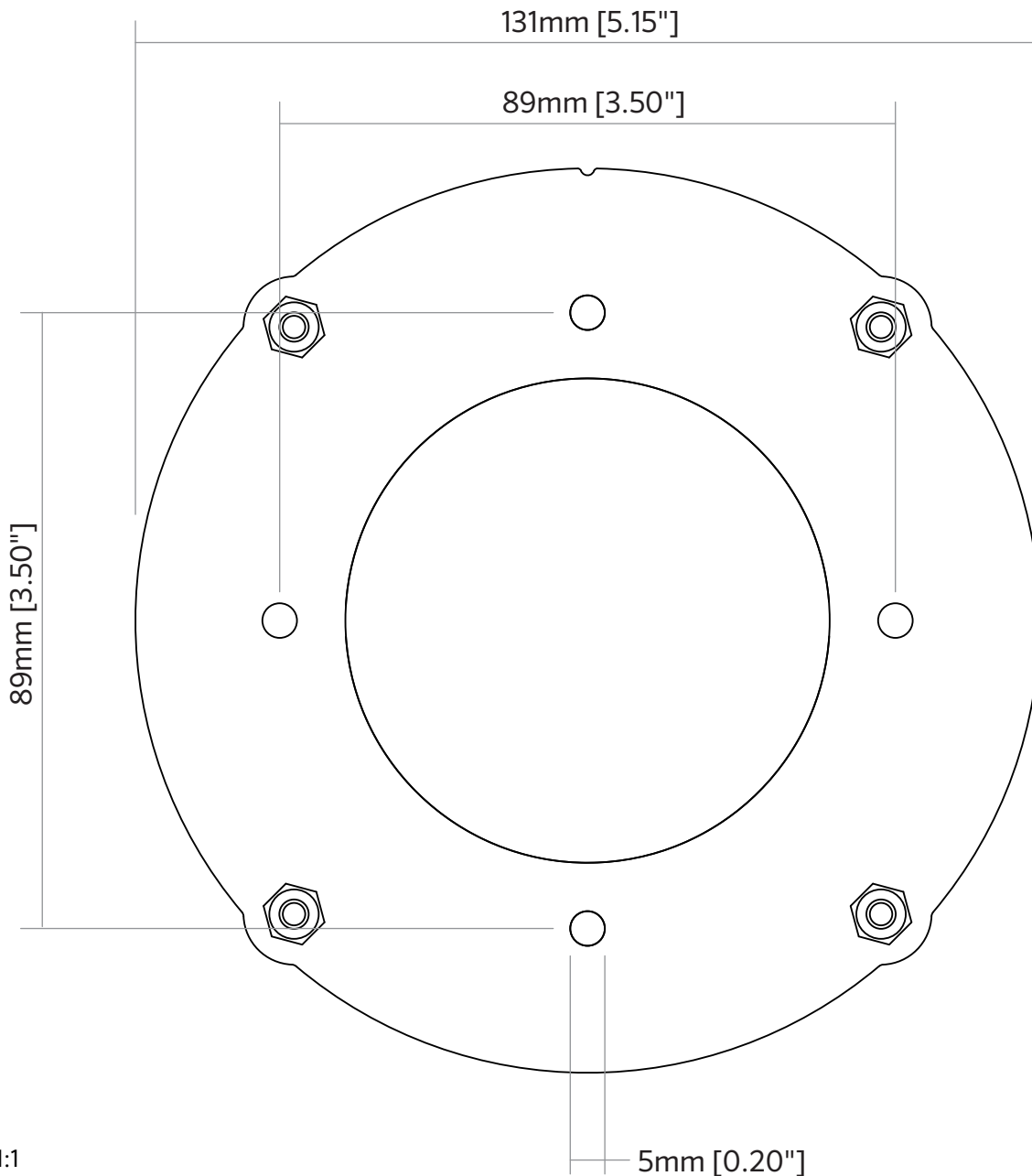


Ensure installation complies with local laws and applicable standards.

## Standard Mounting - Surface Mount with Junction Box

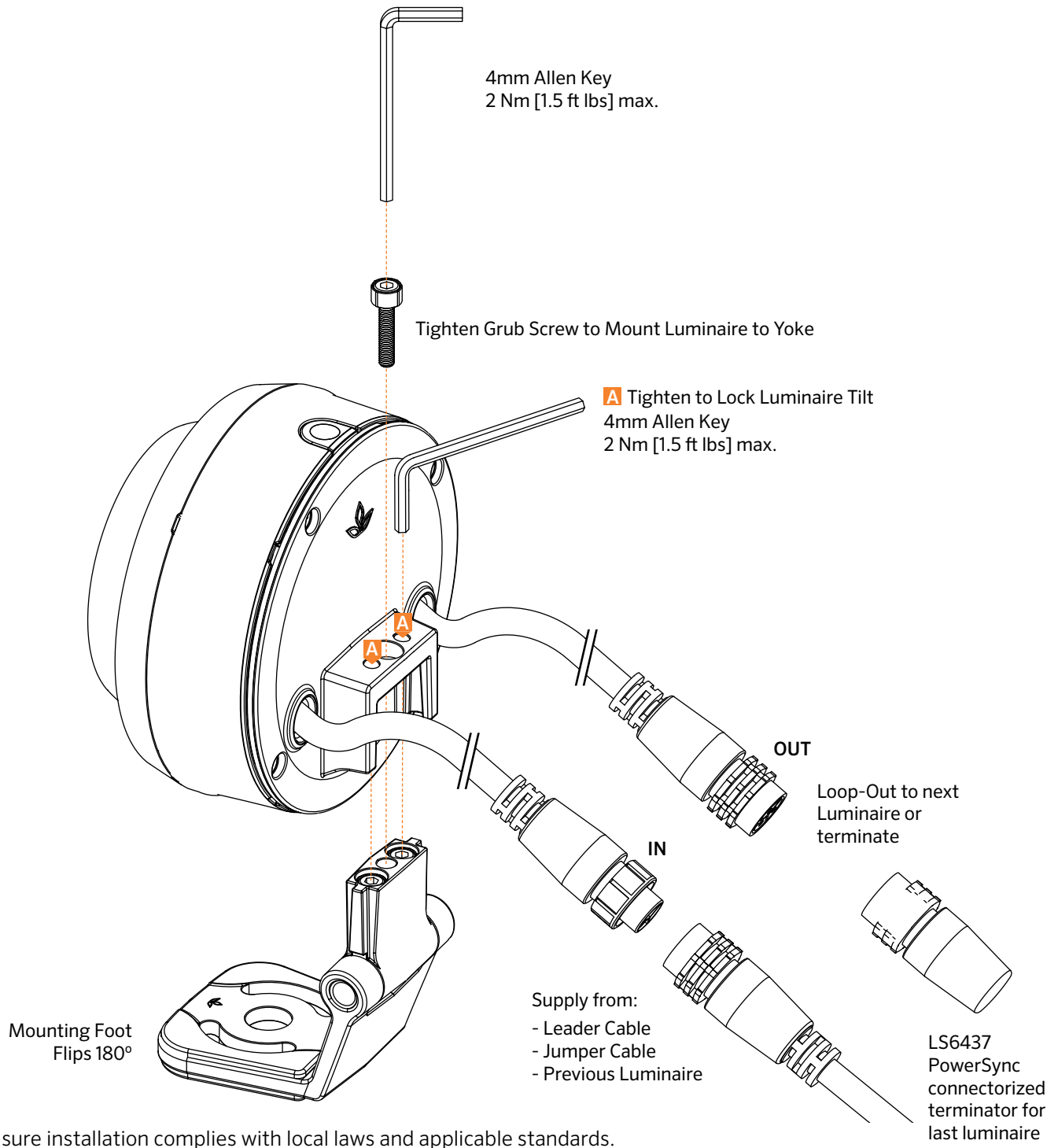


## Mounting Template - Surface Mounting Plate



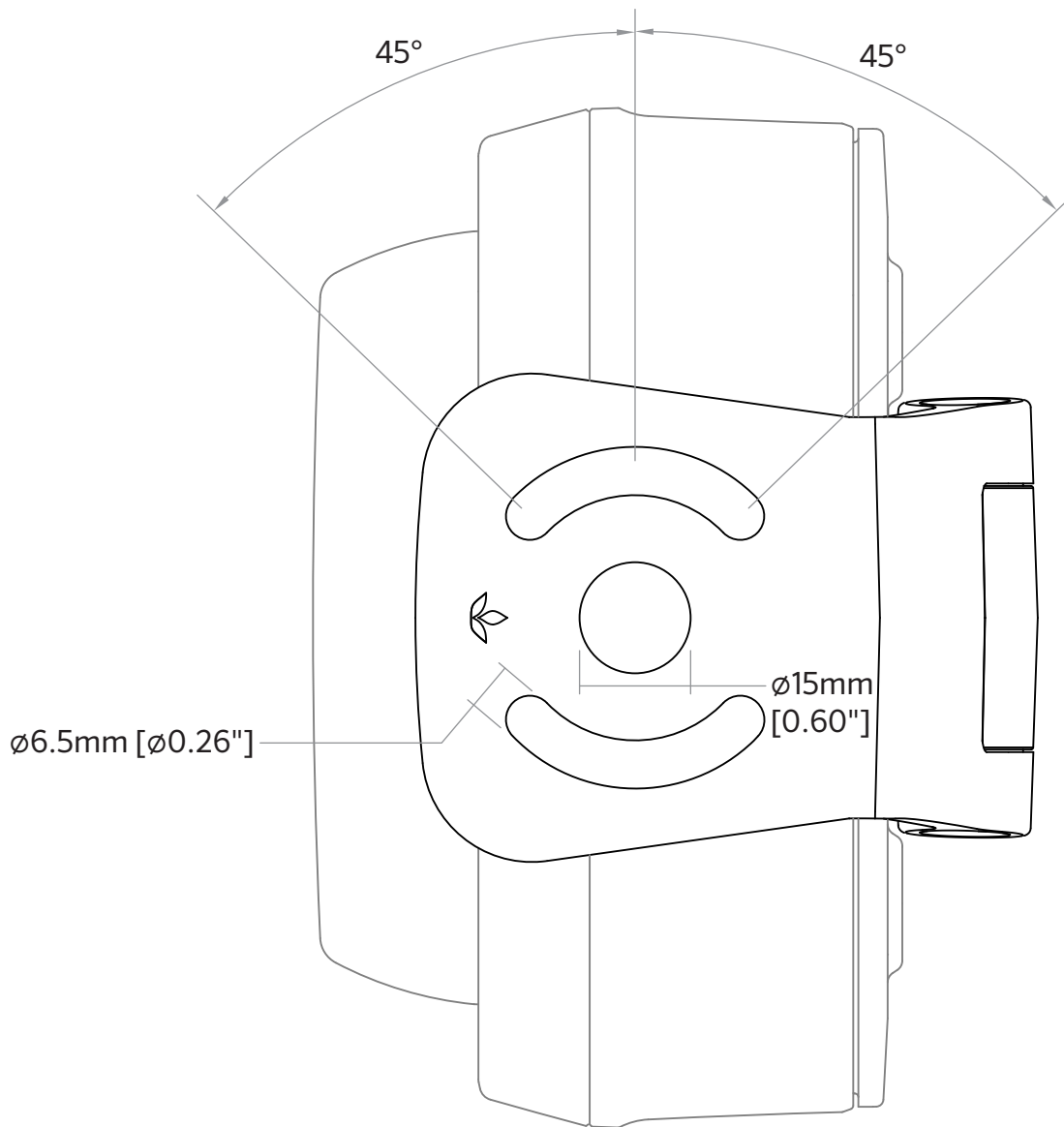
Scale 1:1  
1 in  
1 cm

## Adjustable Bracket

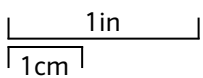


Ensure installation complies with local laws and applicable standards.

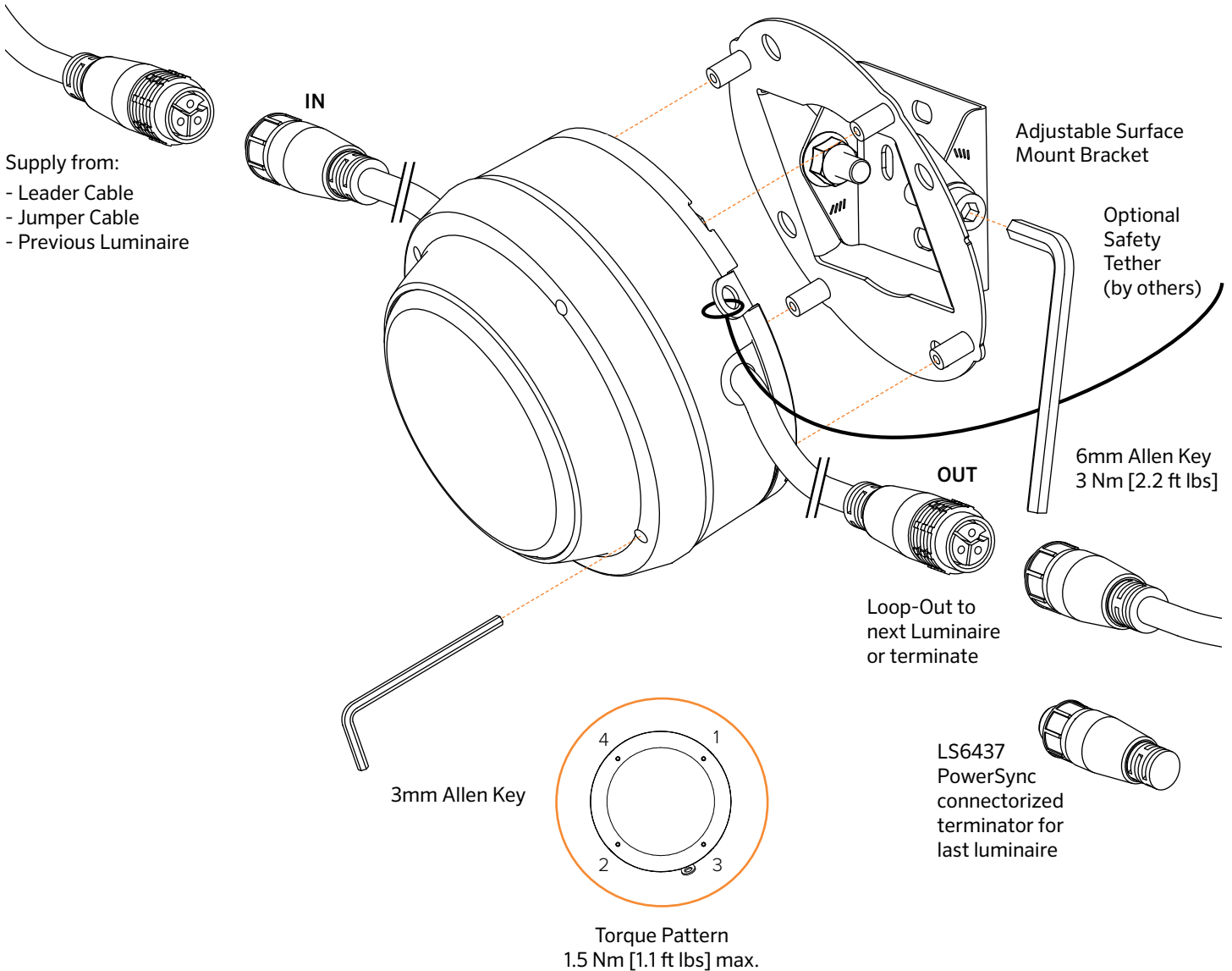
## Mounting Template - Adjustable Bracket (Footprint)



Scale 1:1

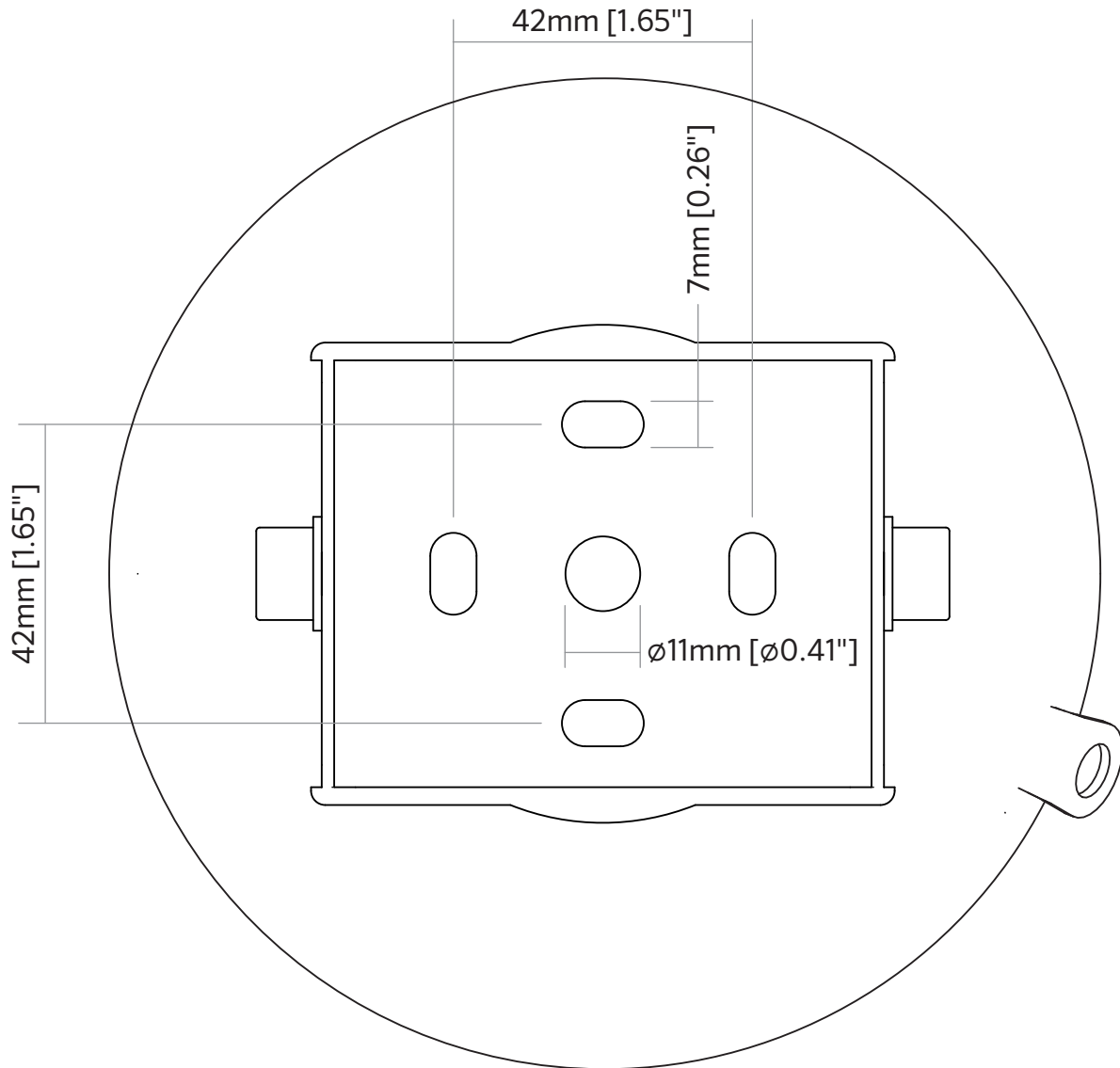


## Adjustable Round Bracket

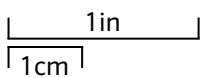


Ensure installation complies with local laws and applicable standards.

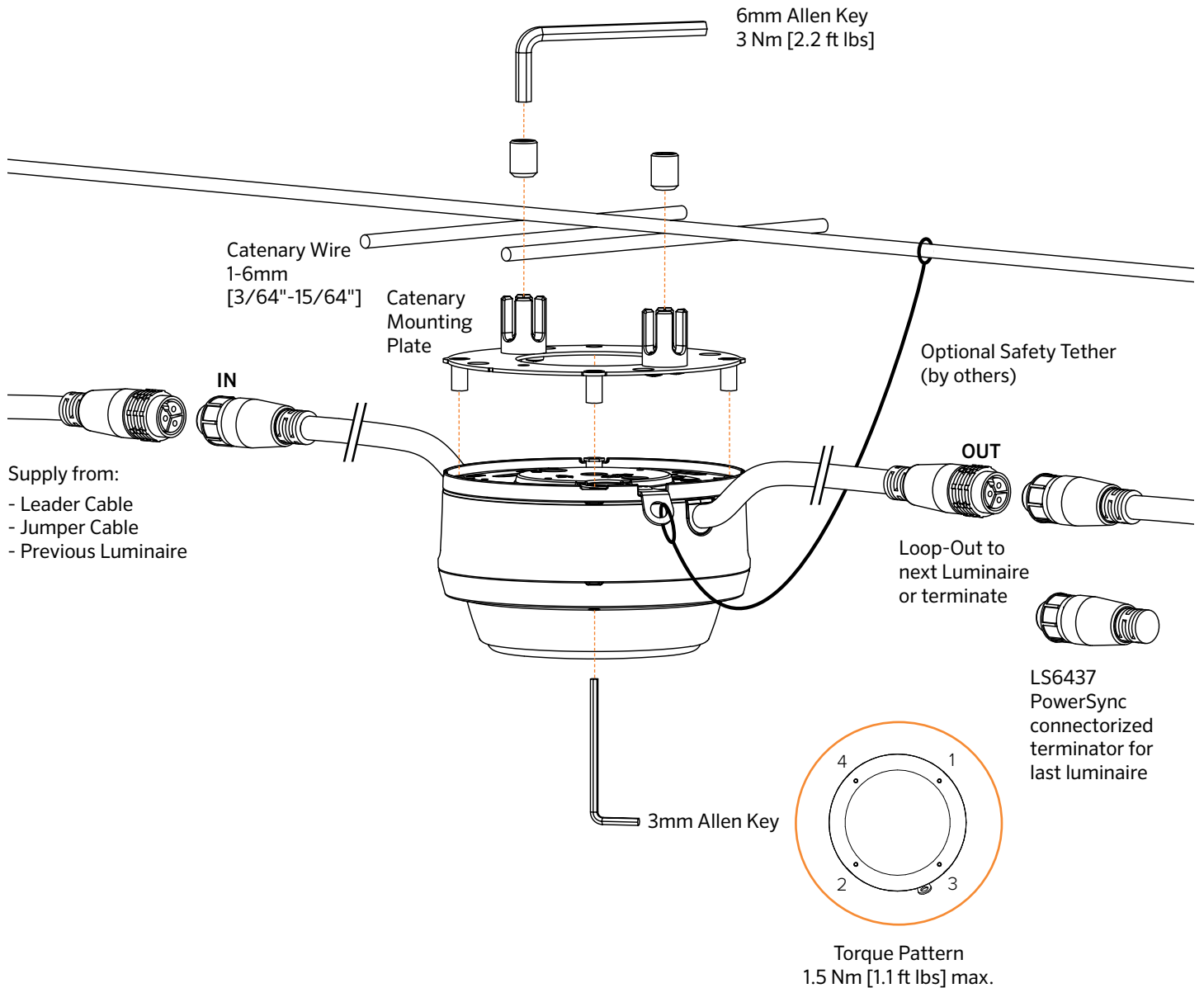
## Mounting Template - Adjustable Round Bracket



Scale 1:1



## Catenary Mount



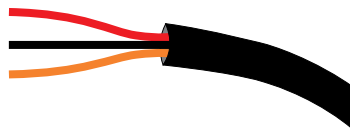
Ensure installation complies with local laws and applicable standards.

## Wiring Polarity

### Low Voltage 30 to 48 Vdc

#### Flexible Cable

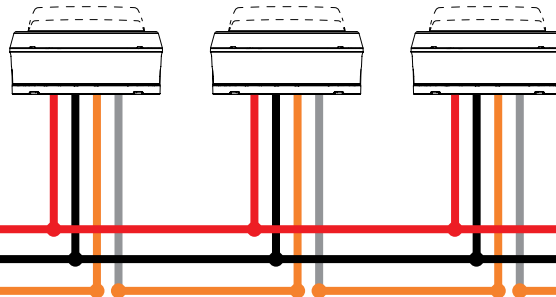
Designation	Color
+ DC	Red
- DC	Black
Data	Orange



Install in accordance with National Electric Code, ANSI/NFPA 70 or the Canadian Electric Code, Part I (CEC), CSA C22.1

### Hookup Wire (North America Only)

Designation	Color
+ DC	Red
- DC	Black
Data In	Orange
Data Out	Grey



After last luminaire use LS6405 terminator for non-connectorized set-ups between data and -ive wire.

Designation
+ DC
- DC
Data

Trunk wires supplied by others



Ensure installation complies with local laws and applicable standards.