



Fayra F6-P – Compact Architectural Projector

The Fayra F6-P is a compact architectural projector within the F6 family, available in 10W and 22W performance packages delivering up to 1040 and 2145 lumens respectively, for landscape, façade, and civic environments. Engineered for precise optical control, Fayra F6-P offers a range of beam distributions suited to accent, public realm, and general architectural illumination applications.

Available in RGBW, RGBA, Tunable White, and static white configurations with PowerSync control technology, Fayra F6-P supports both functional and dynamic lighting applications across a wide range of project environments.

Sharing the same mounting versatility as other F6 luminaires—including surface, catenary, and adjustable arm mounting options—Fayra F6-P adapts across a wide variety of project conditions while maintaining a discreet architectural presence.

Together with other F6 and smaller F3 luminaires within the F-series family, Fayra F6-P enables layered architectural lighting schemes that combine functional illumination with creative lighting effects.

Performance

Lid Type	Static White & Color ¹	Lumen Output (lm)		Efficacy (lm/W)		Peak Intensity (cd)	
		22W	10W	22W	10W	22W	10W
Short Lid	2,200 K	1,650	800	77	83	21,100	10,200
	2,700 K	1,900	920	88	95	24,200	11,800
	3,000 K	1,980	960	92	99	25,300	12,300
	3,500 K	2,060	1,000	95	103	26,300	12,800
	4,000 K	2,140	1,040	99	107	27,300	13,300
	RGBA	1,160	640	54	65	11,800	6,500
	RGBW (4,000 K) wt. Royal Blue	1,300	680	60	69	15,000	7,900
	2,700 K - 6,500 K	2,090	1,030	96	106	24,700	12,100
Long Lid	2,200 K	1,540	750	71	77	21,000	10,200
	2,700 K	1,770	860	82	88	24,000	11,700
	3,000 K	1,840	890	85	92	25,100	12,200
	3,500 K	1,920	930	89	96	26,100	12,700
	4,000 K	1,990	970	92	100	27,100	13,200
	RGBA	1,060	590	49	60	11,700	6,500
	RGBW (4,000 K) wt. Royal Blue	1,210	630	56	64	15,000	7,900
	2,700 K - 6,500 K	1,960	970	90	100	24,700	12,200

¹ Lumen output values are based on a 11° lens

Beam Angles 10°, 13°, 20°, 33°, 47°, 10° x 40°, 40° x 10°, 20° x 60°, 60° x 20°

! Other LED colours and CRIs available on request. Contact Lumascope for options.



Products and specifications are subject to change without notice. LS1060_260618

Electrical

Power Consumption	10 W or 22 W
Optics	Impact Resistant UV Shield Polymer Lens
Lifetime	>60,000 hrs (B10, L70)
Input Voltage	Low Voltage 30 to 48 Vdc
Thermal Management	CoolDrive™ onboard thermal monitoring and control

Control

Interface	Lumascap PowerSync ®
Protocols¹	DMX/RDM, Artnet, PWM ² , 0-10 V (sink or source) ²
PWM Frequency	2 kHz flicker-free dimming to 0.1%
RDM Functionality	PowerSync enabled Lumascap luminaires are shipped with a default RDM personality which provides smooth dimming control. For different dimming characteristics or to enable other special functionalities, the default personality can be changed through industry standard DMX/RDM.
Systems	Range of third-party controllers

¹ Some protocols require additional hardware. For more information and other available protocols contact Lumascap.

² Not available for color-changing or tunable white

Physical

Housing	Marine-grade die-cast aluminum with impact resistant UV-protected and stabilized polymer lens
Finish	Superior 9-step powder-coating process, including marine-grade epoxy undercoat and polyester top coat
Installation	Surface Mount, Adjustable Bracket, Catenary Mount, Tenon Adaptor, Pole Clamp
Ambient Operating Temperature	-40°F to 122°F (-40°C to 50°C)
Surface Temperature	≤122°F (50°C)
Weight	4.0 lb (1.8 kg)
Effective Projected Area	0.15 ft ² (145 cm ²)

Certification & Compliance

IP Rating	IP66 / IP67 (Passes IP68 Test)
IK Rating	IK10
Environment	Dry, Damp, Wet locations
Certifications	UL, CE, RCM, FCC

Optics



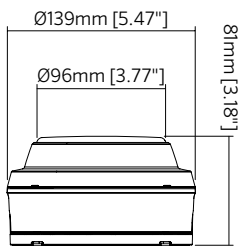
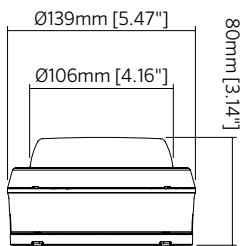
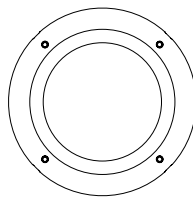
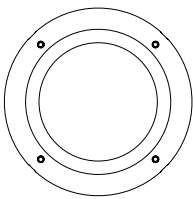
Short Lid
(R)



Long Lid
(D)

Not compatible with
LS6270 Snoot & LS6271 Visor

Dimensions



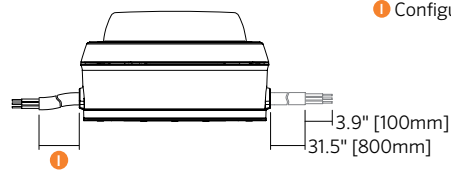
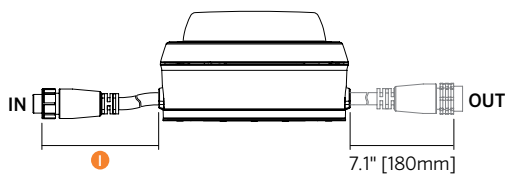
Cable Entry & Connection Type

Connectorized

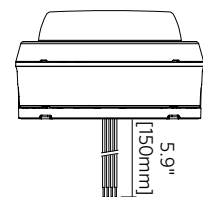
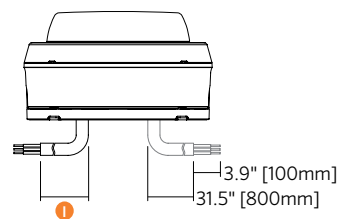
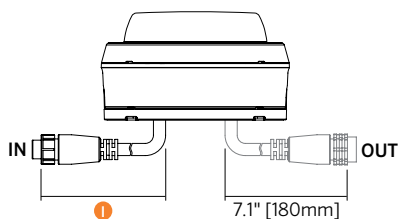
Flexible Cable

Hookup Wire

Side Entry (N)



Bottom Entry (Q)



Connectorized Cable - single (67)
Connectorized cable - loop (63)

Flexible cable - single (84)
Flexible entry cable - loop (83)

Hookup Wire (82)
North America Only

Mounting Option S - Standard Mount

The Standard Mount is manufactured from marine-grade stainless steel for superior strength and long-term corrosion resistance. It is designed for surface mounting as well as supporting direct installation on standard junction boxes, offering flexibility while maintaining a low-profile appearance.



Surface Mount

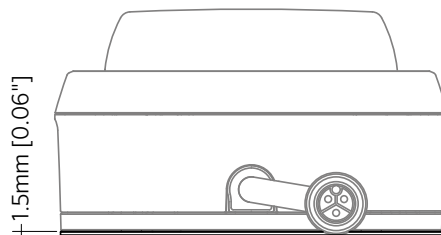
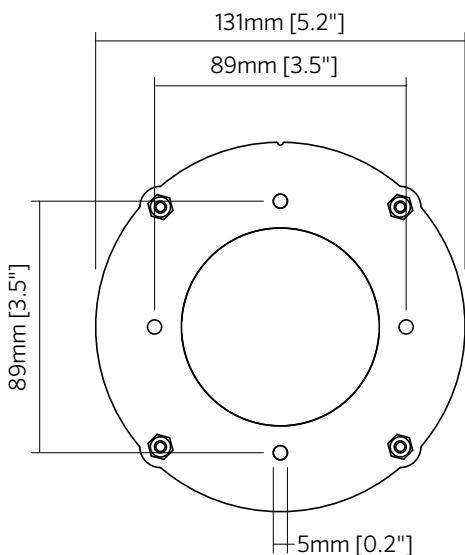
When surface mounting, the standard mount is secured directly to any flat surface using four 5 mm [0.2"] screw holes. The luminaire then attaches seamlessly to the mount. An open centre in the mounting mechanism allows for cable entry from either the side or the bottom.

Junction Box Mount

When used for junction box mounting, the standard mount aligns with a North American junction box, with the four 5 mm [0.2"] screw holes matching the box pattern. The luminaire can then be securely mounted over the junction box using the mount. The open centre of the mounting mechanism allows for bottom cable entry into the luminaire, enabling easy termination within the junction box.

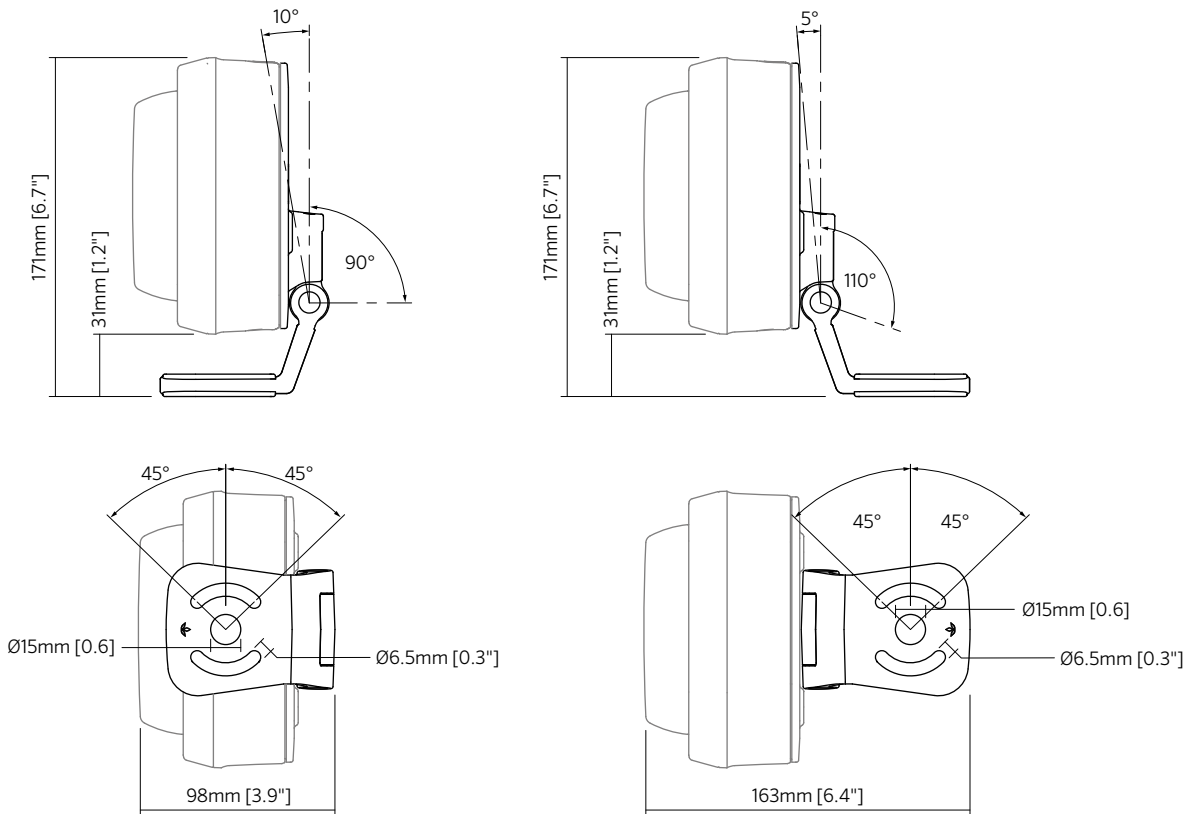


Standard Junction Box by others



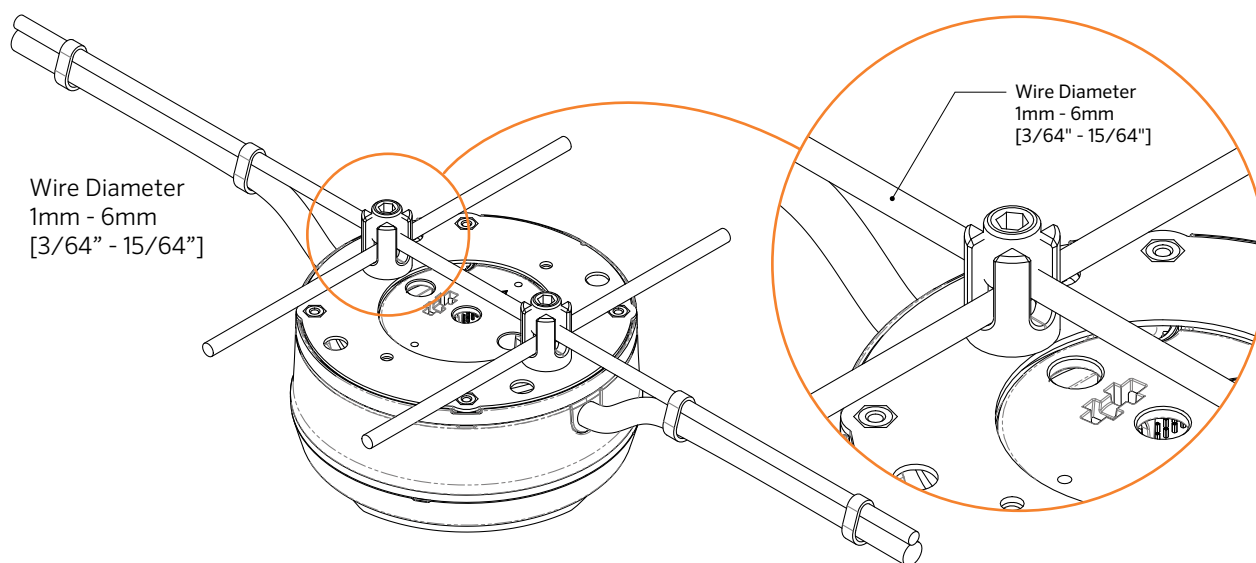
Mounting Option A - Adjustable Bracket

The adjustable bracket allows for 90° rotation about its centre. It can be installed in either the standard or reverse orientation, enabling a luminaire tilt range of -10° to +90° or -5° to +110°, respectively.



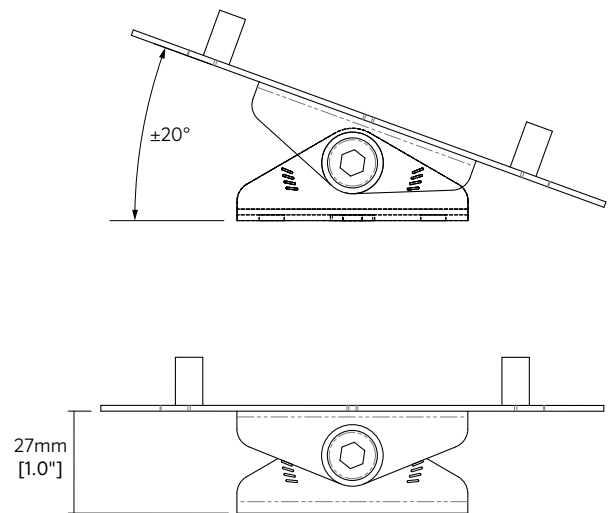
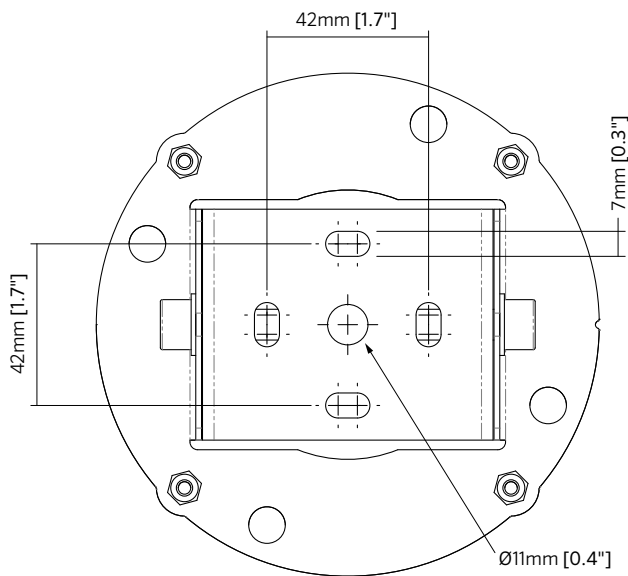
Mounting Option C - Catenary Mount

The Catenary mount enables the suspension on a catenary system. Designed for versatility, it allows the luminaire to be securely mounted on metal wire ranging from 1-6 mm (3/64-15/64"). The LS9260 must be configured with a side entry cable for this accessory to be used. The catenary mount provides a sleek and reliable solution for applications requiring suspended architectural lighting.

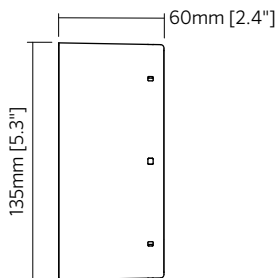


Mounting Option R - Adjustable Round Plate

The adjustable round plate allows for a tilt adjustment of $\pm 20^\circ$ on one axis, providing flexibility in aiming while maintaining a clean, architectural appearance. Available in either marine-grade stainless steel or a durable powder-coated finish, the bracket is built to withstand demanding environments. The LS9260 must be configured with side entry cable to be compatible with the surface mount bracket.

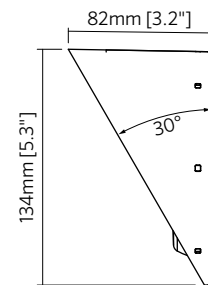


LS6270 Snoot



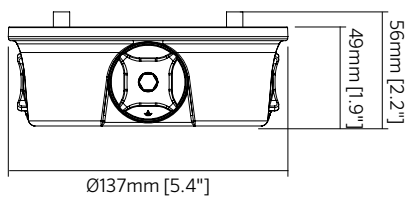
Not compatible with Long Lid (Cover Option D)

LS6271 Visor

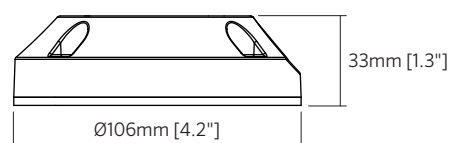


Not compatible with Long Lid (Cover Option D)

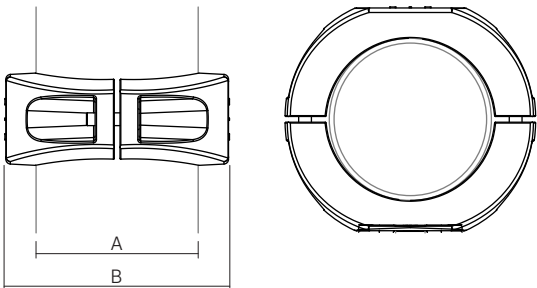
LS6327 Junction Box



LS6301 Junction Box Adaptor / Surface Mounting Kit

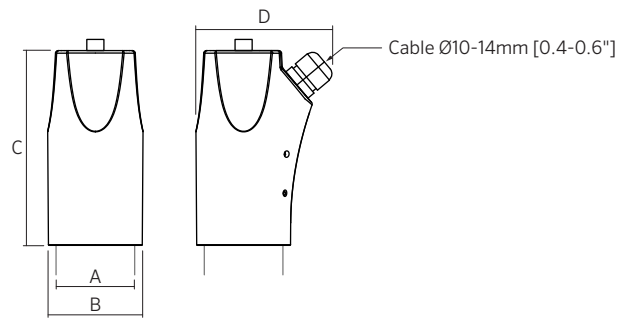


LS6302 | LS6303 | LS6304 | LS6305 Pole Clamp



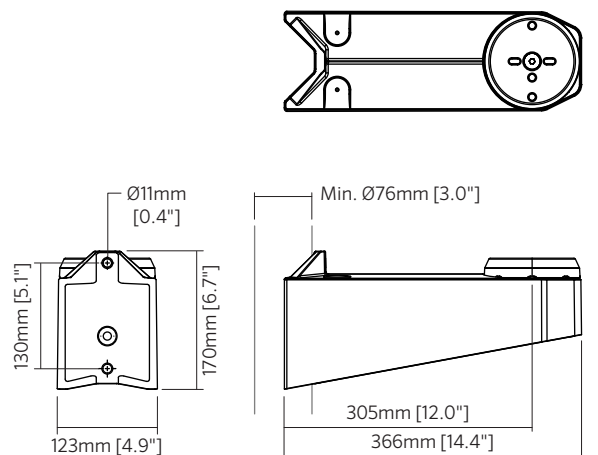
Code	Accessory	A	B
LS6302	3.0" Pole Clamp	Ø3.0" (76 mm)	4.5" (114 mm)
LS6303	4.0" Pole Clamp	Ø4.0" (102 mm)	5.5" (140 mm)
LS6304	4.5" Pole Clamp	Ø4.5" (114 mm)	6.0" (152 mm)
LS6305	5.0" Pole Clamp	Ø5.0" (127 mm)	6.5" (166 mm)

LS6306 | LS6307 Tenon Adaptor



Code	Accessory	A	B	C	D
LS6306	2 3/8" x 4.0" Tenon Adaptor	Ø2.4" (60 mm)	Ø2.8" (72 mm)	5.9" (149 mm)	4.1" (105 mm)
LS6307	3.5" x 6.0" Tenon Adaptor	Ø4.0" (102 mm)	Ø4.4" (113 mm)	8.5" (217 mm)	5.8" (147 mm)

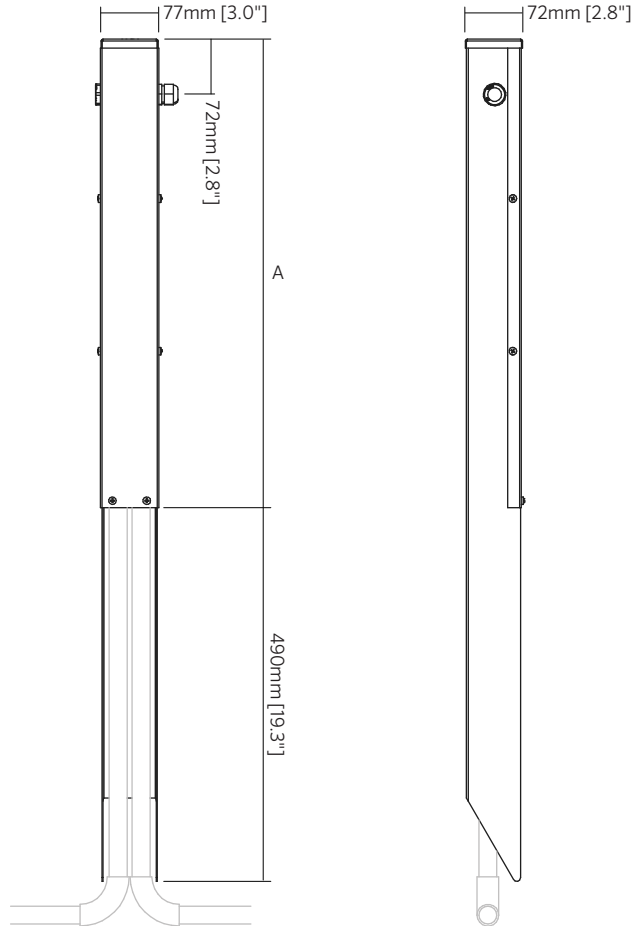
LS6258-S Wall / Pole Mount



LS6325 Ground Mount Post
North America Only



Code	A
LS6325-12	12" (305 mm)
LS6325-24	24" (610 mm)

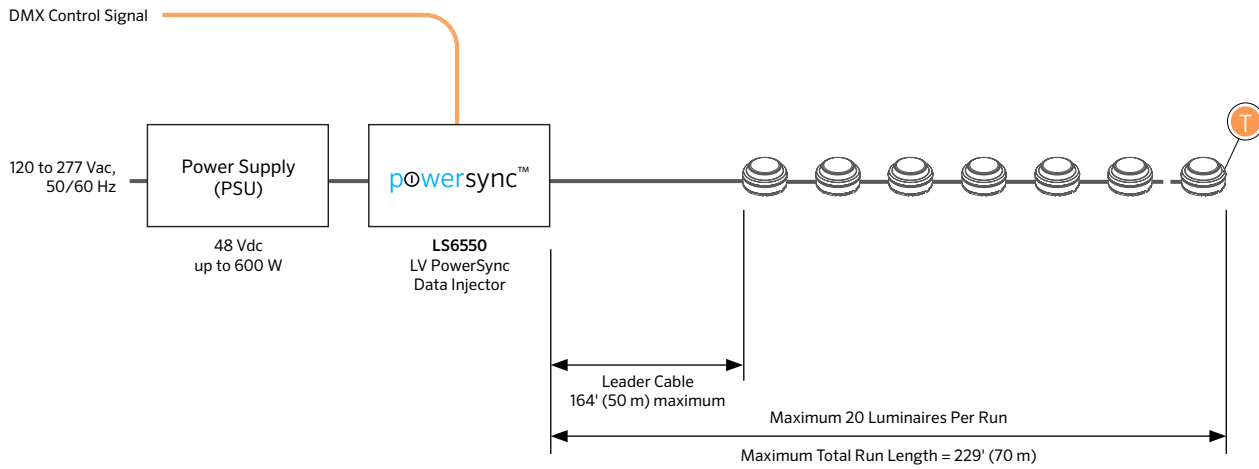


Accessories Specification Matrix

Glare Control Accessories		Mounting Accessories		Length		Finish	
	Code		Code	Length	Code	Finish	Code
Snoot	LS6270	Junction Box	LS6327	12" (305 mm)	12	Black	BL
Visor	LS6271	4.0" Junction Box Adaptor / Surface Mounting Kit	LS6301	24" (610 mm)	24	Anthracite Gray	AG
LS6270 Snoot & LS6271 Visor are not compatible with Long Lid (Cover Option D)				3.0" (76 mm) Pole Clamp	LS6302	Basalt Gray	BT
				4.0" (102 mm) Pole Clamp	LS6303	Graphite Gray	GH
				4.5" (114 mm) Pole Clamp	LS6304	Anodic Silver	SL
				5.0" (127 mm) Pole Clamp	LS6305	White	WT
				2 3/8" x 4.0" (60 mm x 104 mm) Tenon Adapter	LS6306	Dark Bronze	DB
				3.5" x 6.0" (89 mm x 147 mm) Tenon Adapter	LS6307	Latte	LT
				Wall / Pole Mount Arm	LS6258-S	Dark Aluminum	DA
				Ground Mount Post (North America only)	LS6325	Custom RAL	CC ¹

¹RAL color required

Linear Topology – Low Voltage 30-48 Vdc Dimmable and Color-Changing via PowerSync™ 4



I Maximum Current

Maximum current through cables and connectors supplied by Lumascape:
 ≤12.8 A - Installations in North American Market (UL, ETL)
 ≤16 A - Installations in International Market (CE, CCC)

T Terminator

Use PowerSync™ terminator, supplied with leader cable to terminate last luminaire in chain.

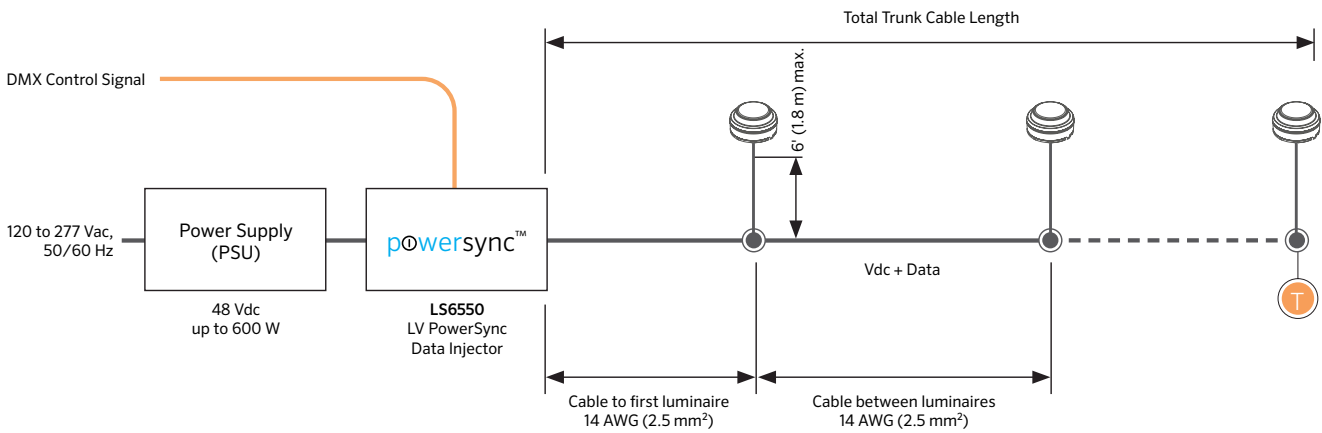
Transformer Compatibility Table

Maximum Circuit Loading - Single Run						
Power Consumption	Max Leader Cable Length from LS6550 to first luminaire	Maximum number of luminaires per 48 V Power Supply				
		120 W	240 W	320 W	480 W	600 W
10 W	50' / 15 m	10	18	22	23	23
	98' / 30 m	9	17	20	20	20
	164' / 50 m	9	16	17	17	17
22 W	50' / 15 m	4	8	11	14	14
	98' / 30 m	4	8	10	12	12
	164' / 50 m	4	7	9	9	9

Values in the above table show the maximum circuit loading per 48 V circuit. Values are based on 4.0' (1.2 m) spacing. Smaller spacing may effect the circuit loading. Extended fixture cables, inclusion of jumper cables, or longer leader cable will effect loading. Circuits can be made up of up to 20 luminaires, up to the maximum circuit loading in the table above. Circuits are limited to maximum 12.8 A. For non-continuous runs, contact Lumascape for details.

Trunk Topology – Low Voltage 30-48 Vdc Dimmable and Color-Changing via PowerSync™ 4

Circuit Limits – Dimmable and Color-Changing via PowerSync™



I Maximum Current
 Maximum current through cables and connectors supplied by Lumascape:
 ≤12.8 A – Installations in North American Market (UL, ETL)
 ≤16 A – Installations in International Market (CE, CCC)

T Terminator
 Use PowerSync™ terminator, supplied with leader cable to terminate last luminaire in chain.

Transformer Compatibility Table

Maximum Circuit Loading - Single Run						
Power Consumption	Max Leader Cable Length from LS6550 to first luminaire	Maximum number of luminaires per 48 V Power Supply				
		120 W	240 W	320 W	480 W	600 W
10 W	50' / 15 m	10	18	22	23	23
	98' / 30 m	9	17	20	20	20
	164' / 50 m	9	16	17	17	17
22 W	50' / 15 m	4	8	11	14	14
	98' / 30 m	4	8	10	12	12
	164' / 50 m	4	7	9	9	9

Refer to "Transformer Compatibility Table", for maximum number of luminaires
 Calculations based on 14 AWG (2.5 mm²) trunk cable, and 16' (5 m) trunk cable between luminaires.
 Always observe local electrical codes for branch circuit current limitations
 For other configurations, contact Lumascape.

Connectorized Accessories – Low Voltage 30 to 48 Vdc

Leader Cables – PowerSync™ Extra Low Voltage (For Connection Type 63 or Type 67)

3-core 16 AWG / 1.5mm² for use in CE/CCC and UL installations. Compatible with all luminaires with Type 63 or 67 connectorized supply cable option. Supplied fitted with an IP68 connector for pairing with the first connectorized luminaire in a Powersync4, Low Voltage circuit. Comes complete with a matching End of Circuit, Powersync4, extra low voltage terminator plug.

LS6426		-		
Cable Type	Code	Cable Type	Code	Length
1.5 mm ²	LS6426	Non-Dimmable	ND	10' (3 m)
		PowerSync	PS	16' (5 m)
				50' (15 m)
				66' (20 m)
				98' (30 m)

Jumper Cables – PowerSync Extra Low Voltage (For Connection Type 63 or Type 67)

3-core 16 AWG / 1.5 mm² for use in CE/CCC and UL installations. Compatible with all Luminaires with Type 63 or 67 connectorized supply cable option. Supplied fitted with IP68 connectors for joining between connectorized luminaires in a Powersync4, extra low voltage circuit.

LS6427		-		
Cable Type	Code	Cable Type	Code	Length
1.5 mm ²	LS6427	Non-Dimmable	ND	1' (0.3 m)
		PowerSync	PS	2' (0.6 m)
				3' (1 m)
				6' (2 m)
				16' (5 m)
				32' (10 m)
				50' (15 m)
				66' (20 m)
				98' (30 m)

PowerSync Low Voltage 30 to 48 Vdc Data Injector

Translates control signals into a digital format, delivering integral power and data to intelligent LED luminaires. This allows highly-granular addressing and high-speed digital control of every luminaire, using only three wires. The data injector is DIN rail mountable designed to be installed in a switchboard, next to the power supply and circuit breaker that is supplying power to the controlled lighting circuit. Accepts a growing list of standard protocols (0-10 V, DMX/RDM) for simple integration with a wide selection of control systems using these industry standard protocols.



LS6550		-	2D
Product	Code	Control	Code
Data Injector PS4	LS6550	DMX/RDM, 0-10 V Input	2D

NOTE:

PowerSync Data Injector ships with three (3) hardwired terminators and one (1) hardwired DMX terminator.

Connectorized Accessories

Terminators

Product	Code
PowerSync Terminator Connectorized, Extra Low Voltage 30-48 Vdc (CCC, CE, UL)	LS6437

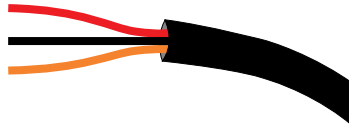
* NOTE:

- DMX Terminators ship with PowerSync Data Injectors.
- Terminators for hardwired PowerSync installations ship with PowerSync Data Injectors.
- Terminators for connectorized PowerSync installations ship with Leader Cables.
- Order separately for spares only.

Luminaire Wire Colors & Designations

Low Voltage 30 to 48 Vdc - International

Designation	Color
+ DC	Red
- DC	Black
Data	Orange



Low Voltage 30 to 48 Vdc - North America

Designation	Color
+ DC	Red
- DC	Black
Data In	Orange
Data Out	Grey

