

LS471 Centria

Wallmount



The LS471 is the direct/indirect version of the Centria series. It also performs well for illuminating large wall expanses. Reflectors with different beam angles can be fitted to each side. Integral electronic ballasts are a standard feature of LS471. Choices of lamps, beam angles, light and glare control accessories are available.

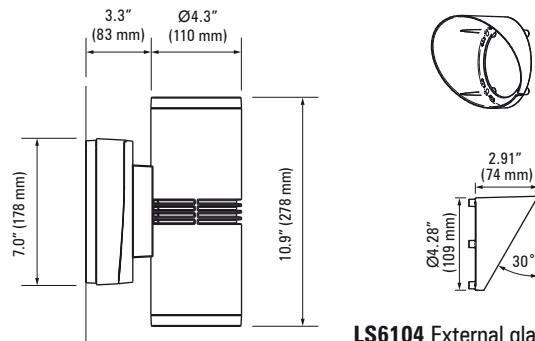
Specifications

Lamp Source	2 x 20 W MH T4 (G8.5)
Approved Use	Suitable for wet locations
IP Rating	IP66 / IP67
Construction	LM20 diecast marine grade powder coated aluminum
Installation Type	Wall mount
Ambient Operating Temperature	-4 °F to 122 °F (-20 °C to +50 °C)
Accessories <i>Order separately</i>	LS6065 Linear spreader lens LS6066 Prismatic lens LS6067 Concentric louver LS6064-R/G/B/Y Dichroic filters LS6104 External glare shield
Photometrics	Refer to www.lumascape.com
Surface Temperature	HumanTouch™ compliant model ≤149 °F (≤65 °C) 2 x 20 W MH T4

Any luminaire can become hot - take care with appropriate use and placement



LS471 Centria



LS6104 External glare shield

LAMP				OPTICAL SYSTEM			INPUT VOLTAGE		FINISH			
Description	Wattage	Base	Code	Reflector	Beam	Code	Description	Code	Description	Material	Code	
MH T4	2 x 20 W	G8.5	211 ⁽¹⁾	Aluminum	Narrow	12°	XV	120 V, 60 Hz	04	Black, powder coated	Aluminum	CB
					Medium	30°	XW			White, powder coated	Aluminum	CW
					Flood	54°	XX			Silver, powder coated	Aluminum	CS
					Wide flood	74°	XY					

⁽¹⁾ Electronic ballast.