








Project Name	
Type	
Part Number	
Quantity	
Notes	

## Product Overview

The dBeam-5 is the smallest directional luminaire built to house a 1LED board, for downlighting compact spaces. A zoning/dimming version is also available for use with ZDClick® systems using Luxor® technology.

## Features

Total Lumens	102 lm
Power Consumption	2.2 W
Input Voltage	10-15 Vac/dc, 50/60 Hz
Installation Requirements	Downward Direction Only
Typical Lifetime	72,000 hrs
Weight	1.1 lb (0.5 kg)
Compliance	    <b>RoHS</b> COMPLIANT
Color Options	

## Technology



# Written Specifications

## Electrical

Power Consumption	Specified power consumption indicates the full apparent power.
Input Voltage	10–15 Vac/dc, 50/60 Hz. Remote transformer required (specify separately).
Configuration	Integral driver.
LED	Lumileds®
Thermal Management	CoolDrive™ onboard thermal monitoring and control.
Lifetime	>72,000 hours (L70, B10, TM21 Reported)
Dimming	Luxor® control or a trailing-edge (reverse phase-cut) dimmer.

## Control

Luxor® Control	The ZDLink Controller utilizes Luxor Technology™ to zone luminaires in up to 250 groups, dim each group in 1% increments between 0% and 100%, or change to one of 30,000+ colors with RGBW LEDs. Select the ZD option for zoning/dimming or ZDC for zoning/dimming/color. Standard luminaire is zoneable with ZDLink.
----------------	---

## Physical

Construction	Die-cast A380 aluminum housing and shield with stainless steel hardware. Die-cast zinc/aluminum alloy knuckle.
Finish	Two-layer protection of marine-grade anodization and polyester TGIC powder-coat finish, providing superior outdoor weathering in all conditions. Tested to ASTM standards.
Beam Angles	"Specify Spot (20°), Flood (35°), or Wide Flood (60°). For Narrow Spot (10°), specify any beam angle and remove beam angle lens on site. Beam angle is field serviceable."
Installation	Designed for installation in the downward lighting direction only.
Adjustability	Compress-and-lock features prevent slip after installation. Offers 9° increments of adjustability over 220° of vertical alignment.
Wiring	18 AWG (1 mm); SPT-1W; 220°F (105°C); 300 V; 26' (8 m) length, measured from the light aperture. International ("e") length is shorter.
Socket	MicroAntileach™ Technology to prevent moisture from wicking up into sealed areas of the luminaire.
Ambient Operating Temperature	0°F to 140°F (-18°C to 60°C).
Lens	OptiClear™ tempered glass for exceptional optical purity and load strength.
Lens Transparency	Clear
Glare Control	45° angled shield.
Hardware	Tamper-resistant stainless steel hardware.
Threads	½"-14 NPSM
Housing Capacity	Round 1LED
Weight	1.1 lb (0.5 kg)

## Compliance

IP Rating	IP64
Environment	Dry, Damp, Wet locations
Certifications	UL 1838, CSA C22.2 No. 250.7, IEC 60598-1, IEC 60598-2-4, FCC Part 15, Subpart B, ISED Canada ICES-005, EN 55015, EN 61547, EN 61000-3-2, EN 61000-3-3. Default configuration UL Listed. CE certification is met when the "e" option is selected.

## Overview

## About Us

Lumascapе transforms spaces with precision-engineered lighting solutions, proven to perform. Since 1991, customers have relied on us as a leading manufacturer of high-quality, innovative luminaires that solve their toughest lighting challenges. Our global experts combine sophisticated design, advanced technologies, quality materials, and rigorous testing to manufacture a comprehensive range of lighting systems that consistently exceed performance expectations. Lumascapе is a member of the Hunter Industries Family of Companies. Learn more at [lumascapе.com](http://lumascapе.com).

---

### Manufacturing

ISO 9001:2015 certified facility.

---

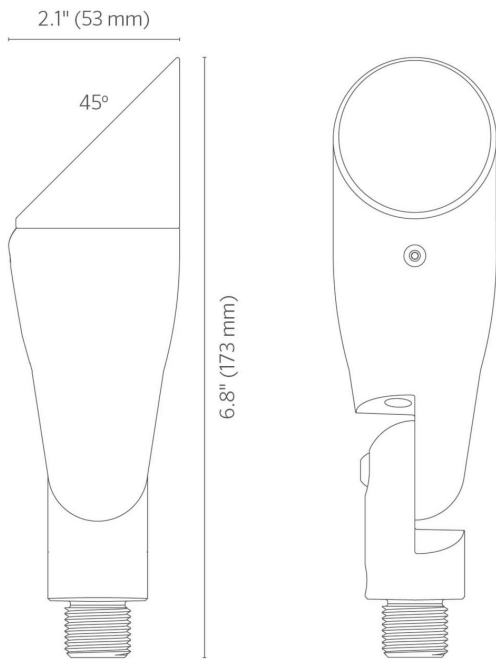
### Warranty

5-year limited warranty.

---

# Specifications

## Dimensions



## Photometrics 1LED

### dBeam-5 1 LED Illuminance at a Distance

Feet (Meters)	Center Beam	Beam Width	
	Foot-Candles (Lux)	Vertical 44.6°	Horizontal 48.4°
5' (1.5 m)	5.1 fc (55 lx)	4.1' (1.2 m)	4.5' (1.4 m)
10' (3.0 m)	1.3 fc (14 lx)	8.2' (2.5 m)	9.0' (2.7 m)
15' (4.6 m)	0.6 fc (6 lx)	12.3' (3.7 m)	13.5' (4.1 m)
20' (6.1 m)	0.3 fc (3 lx)	16.4' (5.0 m)	18.0' (5.5 m)
25' (7.6 m)	0.2 fc (2 lx)	20.5' (6.2 m)	22.5' (6.9 m)
30' (9.1 m)	0.1 fc (2 lx)	24.6' (7.5 m)	27.0' (8.2 m)

Note: Photometric data displayed using 2,700 K CCT with a 60° beam angle.

# Configuration

For complete and up-to-date product options, configure the dBEM5 using our online [product configurator](#).

dBEM5					
Code	Control	Output	Light Source	Beam Angles	Finish

## Control

- Standard (-)**  
1) On/Off, 2) Phase-cut Dimming, or 3) Zone with Luxor® Technology using the ZDClick Lighting Controller.
- Zone/Dim (ZD)**  
Zone/Dim with Luxor® Technology using the ZDClick Lighting Controller.

## Output

- 2.2 W (1LED)**  
102 lm
- 2.2 W**  
102 lm, for ZD control

## Light Source

- Static White (K27)**  
2,700 K (80+ CRI)



## Beam Angles

Published angles may vary slightly to photometric data. Please refer to IES files where relevant.

- Spot (SP)**  
20° beam angle
- Flood (FL)**  
35° beam angle
- Wide Flood (WF)**  
60° beam angle

## Finish

**Black (BL)**  
RAL9004 from RAL  
Classic collection



**Anthracite Gray (AG)**  
RAL7016 from RAL  
Classic collection



**Basalt Gray (BT)**  
RAL7012 from RAL  
Classic collection



**Graphite Gray (GH)**  
Graphite Gray powder-coat finish



**Anodic Silver (SL)**  
RAL9006 from RAL  
Classic collection



**White (WT)**  
RAL9016 from RAL  
Classic collection



**Dark Bronze (DB)**  
RAL8019 from RAL  
Classic collection



**Latte (LT)**  
RAL7006 from RAL  
Classic collection



**Dark Aluminium (DA)**  
RAL9007 from RAL  
Classic collection



**Custom RAL (CC)**  
A one-off custom color setup fee applies. Click on 'More Info' button to add to your enquiry. Contact Lumascape for volume discount on set-up fee.



# Accessories

## Mounting & Installation

Specify Separately

- Mini Mount (MM-050)**



- Versabox® (VB-050)**  
A 1.5" (38 mm) brass cap with 1/2"-14 NPSM threads.



- Mini J-Box (MJ-050)**  
A 1.5" (38 mm) aluminum wall mount with 1/2"-14 NPSM threads and wire compartment.



- Treebox® (TB)**  
A dual 1/2"-14 NPSM threads with wire compartment.



- Wall Plate 1-Gang (WP-1G-050)**  
1-gang wall plate with 1/2"-14 NPSM threads.



- Wall Plate, Round (WP-RD-050)**  
5" (127 mm) round wall plate with 1/2"-14 NPSM threads.



- Non-Penetrating Tree Ring (TR)**  
Adjustable, drill-free, non-penetrating tree ring, accommodates up to six luminaires.



## Riser & Couplings

Specify Separately

- Straight Riser (—)**  
An aluminum straight riser with 0.8" (12 mm) OD and 1/2"-14 Male NPSM x2 threads.



- Angled Sign-Light Riser (↘)**  
An aluminum angled sign-light riser with 0.8" (12 mm) OD, 45° bend, and 1/2"-14 NPSM x2 threads.



- Straight Coupling (COUP)**  
An aluminum straight coupling 1.3" (32 mm) x 2.0" (51 mm).



- Coupling, 90-deg, 1/2" NPSM (ELBW-050)**  
An aluminum 90° coupling 1.3" (32 mm) x 2.0" (51 mm).



- Coupling, T, 1/2" NPSM (TMNT-050)**  
An aluminum T Coupling, 1/2" NPSM Thread.



## Lens Accessories

Specify Separately

- Hex Baffle (250015250000)**  
1.4" (36 mm) diameter (MR-11)



- Solite Spread Lens (250015420000)**  
1.4" (36 mm) diameter (MR-11)



## Power Supplies

Specify Separately

- Multi-Tap Transformer (PROLINK)**  
The industry's most reliable multi-tap transformer.



- ZDclick® Lighting Controller (ZDclick)**  
A combined lighting controller and transformer (120 Vac to 14 Vac) that offers powerline zoning, dimming, RGBW color changing, and optional Wi-Fi control via Luxor Technology™



- Dimmable Mini Transformer (ST-120-DIM)**  
60 W, 120 V to 12 Vac step-down transformer.



- Non-Dimmable Mini Transformer (ST-UV)**  
30 W universal voltage step-down transformer.



- 6 W Plug-in Transformer (MT-6W)**  
Standard North American Type A, Class 2 transformer with 6 W capacity and 1' (300 mm) flying leads.

- 30 W Plug-in Transformer (MT-30W)**  
Standard North American Type A, Class 2 transformer with 30 W capacity and 1' (300 mm) flying leads.

---

## Supplemental Surge Protection

Specify Separately

- In-Line Surge Arrestor (SURGE-MOD)**  
Provides two additional layers of surge protection (up to 10KW) to any 12 Vac/dc LED luminaire.



---

## Wire Connections

Specify Separately

- Heat Shrink Wire Connectors - Small (WCHSSM20)**  
Tin-coated copper butt splices with adhesive-filled heat shrink tubes.



- Heat Shrink Wire Connectors - Medium (WCHSMD20)**  
Tin-coated copper butt splices with adhesive-filled heat shrink tubes.



---

## Custom Color

A one-off setup fee applies for each custom color per order. Add to your enquiry.

- Custom Color Setup Fee: Essential Series (Custom RAL Color Setup)**  
Custom RAL colour setup fee





# Give every landscape the light it deserves



When it comes to lighting design, why should architecture have all the fun? We've added more than 50 new landscape luminaires, offering unmatched performance, simple installation, and compatibility with state-of-the-art Luxor® Technology. Discover endless new possibilities to bring your next landscape lighting project to life at [lumascap.com](http://lumascap.com).

