





Project Name	
Type	
Part Number	
Quantity	
Notes	

Product Overview

The dLuna-7 is a stylish directional luminaire with superior illumination and precise engineering. An RGBW version is also available for use with ZDCLink® Controllers.

Features

Total Lumens	558 lm
Power Consumption	4.4 W 9.3 W 12.2 W 11.0 W
Input Voltage	White: 10-15 Vac/dc, 50/60 Hz ZDC: 11-15 Vac/dc, 50/60 Hz
Installation Requirements	Upward Direction Only
Typical Lifetime	White: 72,000 hrs RGBW: 55,000 hrs
Weight	5.1 lb (2.3 kg)
Compliance	
Color Options	

Technology



Written Specifications

Electrical

Power Consumption	Specified power consumption indicates the full apparent power.
Input Voltage	White: 10–15 Vac/dc, 50/60 Hz. RGBW: 11–15 Vac, 50/60 Hz. Remote transformer required (specify separately).
Configuration	Integral driver.
LED	White: Lumileds® RGBW: Cree®
Thermal Management	CoolDrive™ onboard thermal monitoring and control.
Lifetime	White: >72,000 hours (L70, B10, TM21 Reported) RGBW: >55,000 hours (L70, B10, TM21 Reported)
Dimming	Luxor® control or a trailing-edge (reverse phase-cut) dimmer.

Control

Luxor® Control	The ZDClick Controller utilizes Luxor Technology™ to zone luminaires in up to 250 groups, dim each group in 1% increments between 0% and 100%, or change to one of 30,000+ colors with RGBW LEDs. Select the ZD option for zoning/dimming or ZDC for zoning/dimming/color. Standard luminaire is zoneable with ZDClick.
----------------	---

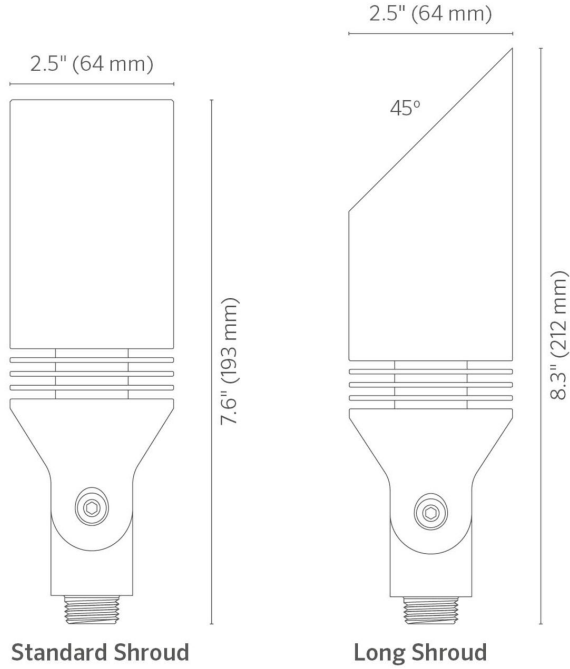
Physical

Construction	Machined C360 brass housing, shield, and knuckle with brass hardware.
Finish	Options of natural metal finish or antiqued finish with brushed (Antique Bronze) or tumbled (Antique Tumbled) effect. Antique finishes sealed with a clear TGIC powder-coat finish layer.
Beam Angles	White: Specify Spot (20°), Flood (35°), or Wide Flood (60°). For Narrow Spot (10°), specify any beam angle and remove beam angle lens on site. Beam angle is field serviceable. RGBW: beam angle is fixed.
Installation	Designed for installation in the upward lighting direction only.
Installation Accessories (Included)	Item ships with the ProAim™ Adjustable Ratcheting Stake (PARS). Stake is 10" long, includes tamper resistant features, and is made from ABS.
Adjustability	Compress-and-lock features prevent slip after installation. Offers 9° increments of adjustability over 220° of vertical alignment.
Wiring	18 AWG (1 mm); SPT-1W; 220°F (105°C); 300 V; 10' (3 m) length, measured from the light aperture.
Socket	MicroAntileach™ Technology to prevent moisture from wicking up into sealed areas of the luminaire.
Ambient Operating Temperature	0°F to 140°F (-18°C to 60°C).
Lens	OptiClear™ tempered glass for exceptional optical purity and load strength.
Lens Transparency	White: Clear RGBW: Frosted

Glare Control	90° straight or 45° long shield option. Drainage hole feature on 90°
Hardware	Brass and/or stainless steel hardware
Threads	½"-14 NPSM
Housing Capacity	Round 1LED, 3LED, 6LED, 9LED, or ZDC-L
Weight	5.1 lb (2.3 kg)
Compliance	
IP Rating	IP65
Environment	Dry, Damp, Wet locations
Certifications	Compliant per IEC 60598-1 and IEC 60598-2-4 when used with the International Spike Kit ("EKITSPIKE") or alternate mount greater than or equal to IP54.
Overview	
About Us	Lumascap transforms spaces with precision-engineered lighting solutions, proven to perform. Since 1991, customers have relied on us as a leading manufacturer of high-quality, innovative luminaires that solve their toughest lighting challenges. Our global experts combine sophisticated design, advanced technologies, quality materials, and rigorous testing to manufacture a comprehensive range of lighting systems that consistently exceed performance expectations. Lumascap is a member of the Hunter Industries Family of Companies. Learn more at lumascap.com .
Manufacturing	ISO 9001:2015 certified facility.
Warranty	5-year limited warranty.

Specifications

Dimensions



Photometrics 3LED

dLuna-7 3 LED Illuminance at a Distance

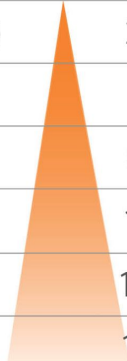
Feet (Meters)	Center Beam	Beam Width	
	Foot-Candles (Lux)	Vertical 35.5°	Horizontal 35.8°
5' (1.5 m)	23 fc (245 lx)	3.2' (1.0 m)	3.2' (1.0 m)
10' (3.0 m)	5.7 fc (61 lx)	6.4' (2.0 m)	6.5' (2.0 m)
15' (4.6 m)	2.5 fc (27 lx)	9.6' (2.9 m)	9.7' (3.0 m)
20' (6.1 m)	1.4 fc (15 lx)	12.8' (3.9 m)	12.9' (3.9 m)
25' (7.6 m)	0.9 fc (10 lx)	16' (4.9 m)	16.1' (4.9 m)
30' (9.1 m)	0.6 fc (7 lx)	19.2' (5.9 m)	19.4' (5.9 m)

Note: Photometric data displayed using 3,900 K lamp with a 20° beam angle. ZDC option defaults to Wide Flood.

Photometrics 6LED

dLuna-7 6 LED Illuminance at a Distance

Feet (Meters)	Center Beam	Beam Width	
	Foot-Candles (Lux)	Vertical 19.3°	Horizontal 19.9°
5' (1.5 m)	44 fc (469 lx)	2.9' (0.8 m)	3.1' (0.9 m)
10' (3.0 m)	11 fc (117 lx)	5.8' (1.8 m)	6.1' (1.9 m)
15' (4.6 m)	4.8 fc (52 lx)	8.7' (2.7 m)	9.2' (2.8 m)
20' (6.1 m)	2.7 fc (29 lx)	11.6' (3.5 m)	12.2' (3.7 m)
25' (7.6 m)	1.7 fc (19 lx)	14.5' (4.4 m)	15.3' (4.7 m)
30' (9.1 m)	1.2 fc (13 lx)	17.4' (3.3 m)	18.3' (5.6 m)

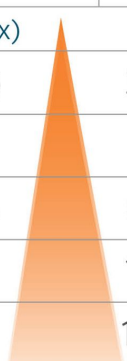


Note: Photometric data displayed using 2,700 K lamp with a Flood (35°) optic. ZDC option defaults to Wide Flood.

Photometrics 9LED

dLuna-7 9 LED Illuminance at a Distance

Feet (Meters)	Center Beam	Beam Width	
	Foot-Candles (Lux)	Vertical 19.3°	Horizontal 19.9°
5' (1.5 m)	58 fc (622 lx)	3.0' (0.9 m)	3.1' (0.9 m)
10' (3.0 m)	15 fc (156 lx)	5.9' (1.8 m)	6.2' (1.9 m)
15' (4.6 m)	6.4 fc (69 lx)	8.0' (2.7 m)	9.2' (2.8 m)
20' (6.1 m)	3.6 fc (39 lx)	11.8' (3.6 m)	12.3' (3.7 m)
25' (7.6 m)	2.3 fc (25 lx)	14.8' (4.5 m)	15.4' (4.7 m)
30' (9.1 m)	1.6 fc (17 lx)	17.7' (5.4 m)	18.5' (5.6 m)



Note: Photometric data displayed using 2,700 K lamp with a Flood (35°) optic. ZDC option defaults to Wide Flood.

Photometrics ZDC

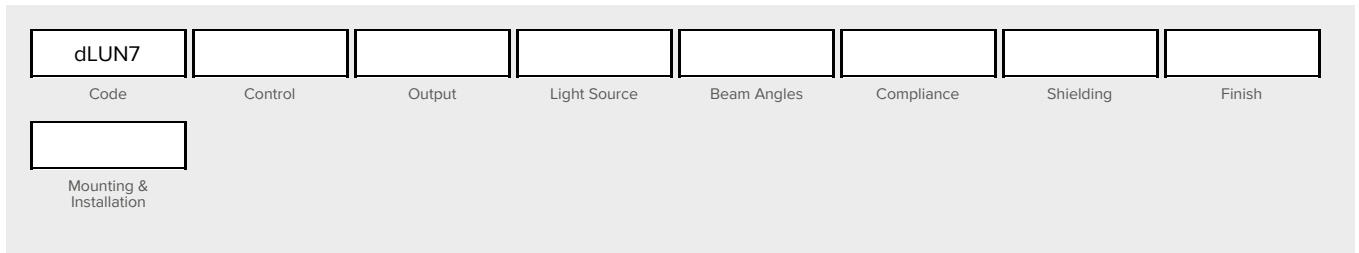
dLuna-7 ZDC Illuminance at a Distance

Feet (Meters)	Center Beam Foot-Candles (Lux)	Beam Width 41.6°
4.2' (1.3 m)	11.6 fc (125 lx)	2.8' (0.9 m)
8.3' (2.5 m)	2.9 fc (31 lx)	5.6' (1.7 m)
12.5' (3.8 m)	1.3 fc (14 lx)	8.3' (2.5 m)
16.7' (5.1 m)	0.7 fc (8 lx)	11.1' (3.4 m)
20.8' (6.3 m)	0.5 fc (5 lx)	13.9' (4.2 m)
25.0' (7.6 m)	0.3 fc (4 lx)	16.7' (5.1 m)

Note: Photometric data displayed using 2,700 K lamp with a Flood (35°) optic. ZDC option defaults to Wide Flood.

Configuration

For complete and up-to-date product options, configure the dLUN7 using our online [product configurator](#).



Control

- Standard (-)**
1) On/Off, 2) Phase-cut Dimming, or 3) Zone with Luxor® Technology using the ZDClick Lighting Controller.
- Zone/Dim (ZD)**
Zone/Dim with Luxor® Technology using the ZDClick Lighting Controller.
- Zone/Dim/Color (ZDC)**
Zone/Dim/Color with Luxor® Technology using the ZDClick Lighting Controller.

Output

- 4.4 W (3LED)**
235 lm
- 9.3 W (6LED)**
421 lm
- 12.2 W (9LED)**
558 lm
- 12.2 W**
558 lm, for ZD control
- 11.0 W**
For ZDC control

Light Source

- Static White (K27)**
2,700 K (80+ CRI) 
- RGBW**
For ZDC control 

Beam Angles

Published angles may vary slightly to photometric data. Please refer to IES files where relevant.

- Spot (SP)**
20° beam angle
- Flood (FL)**
35° beam angle
- Flood**
45° beam angle, for ZDC control
- Wide Flood (WF)**
60° beam angle

Compliance

North America
UL listed



International (E)
Bracket mount, UL listed and CE approved. Required for shipment outside of North America



Shielding

Standard Shroud
90° Straight Shroud

Long Shroud (LS)
45° Angled Shroud

Finish

Natural Brass (BS)



Antique Bronze (AB)
Natural brass material with brushed antique effect. Finish sealed with a clear TGIC powder-coat finish layer.



Antique Tumbled (AT)

Natural brass material with tumbled antique effect. Finish sealed with a clear TGIC powder-coat finish layer.



Mounting & Installation

Included with product.

ProAim™ Ratcheting Stake
10" (250 mm) adjustable stake for 1/2"-14 NPSM threads



Accessories

Mounting & Installation

Specify Separately

Super J-Box Stake (SJ)

2.0" (51 mm) metal cap with 1/2"-14 NPSM threads over an 11" (279 mm) ground stake.



Post Mount (PM)

Suitable for use on 1/2" NPSM ground-mount luminaires and is specified separately.



Versabox® (VB-050)

A 1.5" (38 mm) brass cap with 1/2"-14 NPSM threads.



Gutter Mount (GM-SS)

A 4.4" (112 mm) aluminum cap with 1/2"-14 NPSM threads and wire compartment; 2.0" schedule 40 conduit.



Line Mount (LNM)

In-ground mounting accessory with cavity for mini transformers.



Risers

Specify Separately

Copper Straight Riser (—)

1.2" (30 mm) OD and 1/2"-14 Male and Female NPSM threads



Lens Accessories

Specify Separately

Hex Baffle (250015260000)

2" (50 mm) diameter (MR-16)



Linear Spread Lens (250013550000)

2" (50 mm) diameter (MR-16)



Solite Spread Lens (250015240000)

2" (50 mm) diameter (MR-16)



Power Supplies

Specify Separately

Multi-Tap Transformer (PROLINK)
The industry's most reliable multi-tap transformer.



ZDclick® Lighting Controller (ZDclick)
A combined lighting controller and transformer (120 Vac to 14 Vac) that offers powerline zoning, dimming, RGBW color changing, and optional Wi-Fi control via Luxor Technology™



Dimmable Mini Transformer (ST-120-DIM)
60 W, 120 V to 12 Vac step-down transformer.



Non-Dimmable Mini Transformer (ST-UV)
30 W universal voltage step-down transformer.



6 W Plug-in Transformer (MT-6W)
Standard North American Type A, Class 2 transformer with 6 W capacity and 1' (300 mm) flying leads.

30 W Plug-in Transformer (MT-30W)
Standard North American Type A, Class 2 transformer with 30 W capacity and 1' (300 mm) flying leads.

Supplemental Surge Protection

Specify Separately

In-Line Surge Arrestor (SURGE-MOD)
Provides two additional layers of surge protection (up to 10KW) to any 12 Vac/dc LED luminaire.



Wire Connections

Specify Separately

Heat Shrink Wire Connectors - Medium (WCHSMD20)
Tin-coated copper butt splices with adhesive-filled heat shrink tubes.



Heat Shrink Wire Connectors - Small (WCHSSM20)
Tin-coated copper butt splices with adhesive-filled heat shrink tubes.



Give every landscape the light it deserves



When it comes to lighting design, why should architecture have all the fun? We've added more than 50 new landscape luminaires, offering unmatched performance, simple installation, and compatibility with state-of-the-art Luxor® Technology. Discover endless new possibilities to bring your next landscape lighting project to life at lumascap.com.



ARCHITECTURAL & FACADE LIGHTING
Learn more. Visit lumascap.com

 **LUMASCAPE**